



**PRODUCT CATALOG
2022 - 2023**



www.senarulman.com



CONTENTS

	STEEL SPROCKETS	1-15
	CHAIN	17-19
	PILLOW BLOCK	21-23
	BUSH - PULLEY	25-34
	COUPLING ADAPTER	37-38
	SLEEVES	40
	BEARING	42-46
	BELTS	48



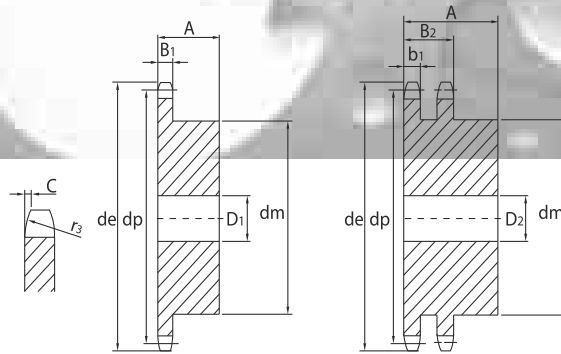


STEEL SPROCKETS



STEEL SPROCKETS

SPROCKETS for chain according to DIN 8 187 and ISO/R 606



DIMENSIONS	mm
Tooth Radius r_3	10
Radius Width C	1
Tooth Width B_1	5.3
Tooth Width b_1	5.2
Tooth Width B_2	15.4
CHAIN	mm
Pitch	9.525
Internal Width	5.72
Roller \varnothing	6.35

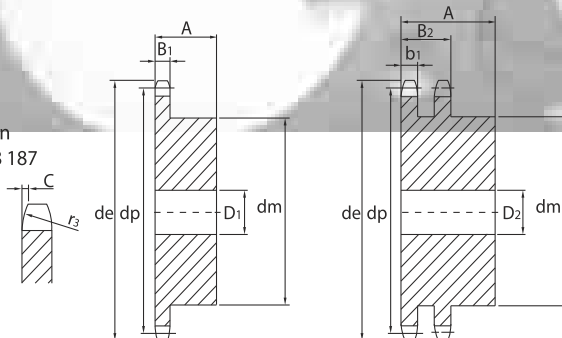
MATERIAL : DIN C45 - AISI 1045

06 B1 - 3/8" Simplex
06 B2 - 3/8" Duplex

Z	UNIT PRICES		DIMENSIONS							
	SIMPLEX PRICE	DUBLEX PRICE	d_e	d_p	SIMPLEX			DUBLEX		
					d_m	D_1	A	d_m	D_2	A
10	1.32 \$	2.20 \$	34.0	30.82	20	8	20	20	8	22
11	1.38 \$	2.20 \$	37.0	33.80	22	8	25	22	10	25
12	1.50 \$	2.35 \$	40.0	36.80	25	8	25	25	10	25
13	1.52 \$	2.35 \$	43.0	39.79	28	10	25	28	10	25
14	1.60 \$	2.60 \$	46.3	42.80	31	10	25	31	10	25
15	1.60 \$	2.60 \$	49.3	45.81	34	10	25	34	10	25
16	1.75 \$	2.95 \$	52.3	48.82	37	10	28	37	12	30
17	1.95 \$	3.45 \$	55.3	51.83	40	10	28	40	12	30
18	2.10 \$	3.60 \$	58.3	54.85	43	10	28	43	12	30
19	2.25 \$	4.00 \$	61.3	57.87	45	10	28	46	12	30
20	2.34 \$	4.05 \$	64.3	60.89	46	10	28	49	12	30
21	2.34 \$	4.10 \$	68.0	63.91	48	12	28	52	12	30
22	2.45 \$	4.20 \$	71.0	66.93	50	12	28	55	12	30
23	2.55 \$	4.35 \$	73.5	69.95	52	12	28	58	12	30
24	2.75 \$	4.60 \$	77.0	72.97	54	12	28	61	12	30
25	2.95 \$	4.95 \$	80.0	76.00	57	12	28	64	12	30
26	3.15 \$	5.05 \$	83.0	79.02	60	12	28	67	12	30
27	3.25 \$	5.25 \$	86.0	82.05	60	12	28	70	12	30
28	3.30 \$	5.35 \$	89.0	85.07	60	12	28	73	12	30
29	3.40 \$	5.75 \$	92.0	88.09	60	12	28	76	12	30
30	3.60 \$	6.25 \$	94.7	91.12	60	12	28	79	12	30
31	4.05 \$	6.50 \$	98.3	94.15	65	14	30	80	16	30
32	4.45 \$	6.80 \$	101.3	97.17	65	14	30	80	16	30
33	4.50 \$	7.20 \$	104.3	100.20	65	14	30	80	16	30
34	4.60 \$	7.25 \$	107.3	103.23	65	14	30	80	16	30
35	4.70 \$	7.60 \$	110.4	106.26	65	14	30	80	16	30
36	5.10 \$	7.95 \$	113.4	109.29	70	14	30	90	16	30
37	5.25 \$	8.50 \$	116.4	112.32	70	14	30	90	16	30
38	5.40 \$	8.85 \$	119.5	115.35	70	14	30	90	16	30
39	5.45 \$	9.20 \$	122.5	118.37	70	14	30	90	16	30
40	5.60 \$	9.45 \$	125.5	121.40	70	14	30	90	16	30
41	5.95 \$	10.85 \$	128.5	124.43	78	14	32	90	16	40
42	6.35 \$	12.60 \$	131.6	127.46	78	14	32	90	16	40
43	6.85 \$	13.90 \$	134.6	130.49	78	14	32	90	16	40

STEEL SPROCKET

SPROCKETS for chain according to DIN 8 187 and ISO/R 606



DIMENSIONS	mm
Tooth Radius r_3	10
Radius Width C	1
Tooth Width B_1	5.3
Tooth Width b_1	5.2
Tooth Width B_2	15.4
CHAIN	mm
Pitch	9.525
Internal Width	5.72
Roller \varnothing	6.35

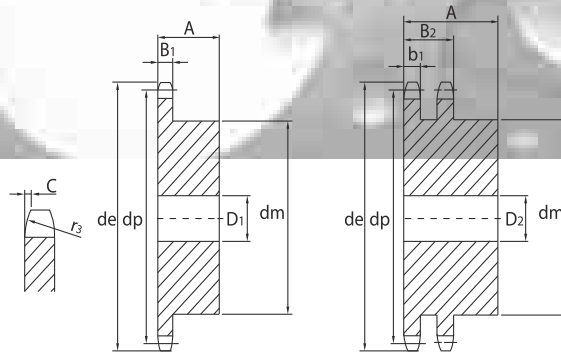
06 B1 - 3/8" Simplex
06 B2 - 3/8" Duplex

MATERIAL : DIN C45 - AISI 1045

Z	UNIT PRICES		DIMENSIONS							
	SIMPLEX PRICE	DUBLEX PRICE	d_e	d_p	SIMPLEX			DUBLEX		
					d_m	D_1	A	d_m	D_2	A
44	7.20 \$	15.50 \$	137.60	133.52	78	14	32	90	16	40
45	7.35 \$	17.95 \$	140.70	136.55	78	14	32	90	16	40
46	7.60 \$	19.10 \$	143.70	139.58	78	14	32	90	16	40
47	7.75 \$	19.65 \$	146.70	142.61	78	14	32	90	16	40
48	8.25 \$	19.85 \$	149.70	145.64	78	14	32	90	16	40
49	8.30 \$	20.20 \$	152.70	148.66	78	14	32	90	16	40
50	8.65 \$	20.50 \$	155.70	151.69	78	14	32	90	16	40
51	8.90 \$	22.35 \$	158.70	154.72	78	14	32	90	16	40
52	9.00 \$	23.45 \$	161.80	157.75	78	14	32	90	16	40
53	9.20 \$	25.25 \$	164.80	160.78	78	14	32	90	16	40
54	9.35 \$	25.60 \$	167.80	163.82	78	14	32	90	16	40
55	9.55 \$	26.00 \$	170.80	166.85	78	14	32	90	16	40
56	9.75 \$	27.00 \$	173.80	169.88	78	14	32	90	16	40
57	10.00 \$	28.10 \$	176.90	172.91	78	14	32	90	16	40
58	10.35 \$	28.85 \$	179.90	175.93	78	14	32	90	16	40
59	2.95 \$	29.00 \$	183.00	178.96	78	14	32	90	16	40
60	11.40 \$	29.15 \$	186.00	181.99	78	14	32	90	16	40
61	11.90 \$	30.65 \$	189.00	185.03	80	16	32	90	16	40
62	12.45 \$	32.50 \$	192.10	188.06	78	20	32	90	20	40
63	13.00 \$	34.25 \$	195.00	191.09	80	16	32	90	16	40
64	13.70 \$	36.00 \$	198.20	194.12	78	20	32	90	20	40
65	14.00 \$	37.15 \$	201.40	197.15	78	20	32	90	20	40
66	14.45 \$	39.65 \$	204.60	200.18	78	20	32	90	20	40
67	15.00 \$	41.50 \$	207.60	203.21	80	16	32	90	16	40
68	15.35 \$	42.90 \$	210.70	206.24	78	20	32	90	20	40
69	14.70 \$	43.25 \$	213.70	209.27	80	16	32	90	16	40
70	16.35 \$	43.50 \$	216.70	212.30	78	20	32	90	20	40
71	16.60 \$	45.00 \$	219.70	215.34	80	16	32	90	16	40
72	17.00 \$	46.85 \$	222.80	218.37	78	20	32	90	20	40
73	17.35 \$	47.60 \$	225.80	221.40	80	16	32	90	16	40
74	17.70 \$	47.95 \$	228.80	224.43	80	16	32	90	16	40
75	18.00 \$	48.50 \$	231.90	227.46	78	20	32	90	20	40
76	18.10 \$	48.60 \$	234.90	230.49	78	20	32	90	20	40

STEEL SPROCKET

SPROCKETS for chain according to DIN 8 187 and ISO/R 606



DIMENSIONS	mm
Tooth Radius r_3	13
Radius Width C	1.3
Tooth Width B_1	7.2
Tooth Width b_1	7
Tooth Width B_2	21
CHAIN	mm
Pitch	12.7
Internal Width	7.75
Roller \emptyset	8.51

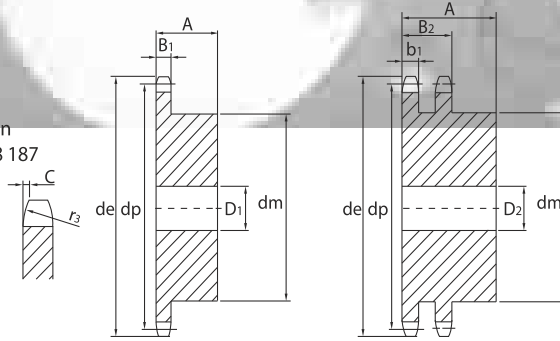
MATERIAL : DIN C45 - AISI 1045

08 B1 - 1/2" Simplex
08 B2 - 1/2" Duplex

Z	UNIT PRICES		DIMENSIONS							
	SIMPLEX PRICE	DUBLEX PRICE	de	dp	SIMPLEX			DUBLEX		
					dm	D1	A	dm	D2	A
10	1.45 \$	2.95 \$	45.2	41.10	26	10	25	28	10	32
11	1.55 \$	2.95 \$	48.7	45.07	29	10	25	32	12	35
12	1.60 \$	3.20 \$	53.0	49.07	33	10	28	35	12	35
13	1.85 \$	3.55 \$	57.4	53.06	37	10	28	38	12	35
14	2.05 \$	3.85 \$	61.8	57.07	41	10	28	42	12	35
15	2.30 \$	4.00 \$	65.5	61.09	45	10	28	46	12	35
16	2.55 \$	4.65 \$	69.5	65.10	50	12	28	50	14	35
17	2.70 \$	4.70 \$	73.6	69.11	52	12	28	54	14	35
18	3.00 \$	5.00 \$	77.8	73.14	56	12	28	58	14	35
19	3.25 \$	5.45 \$	81.7	77.16	60	12	28	62	14	35
20	3.55 \$	5.95 \$	85.8	81.19	64	12	28	66	14	35
21	4.00 \$	7.00 \$	89.7	85.22	68	12	28	70	16	40
22	4.25 \$	7.65 \$	93.8	89.24	70	12	28	70	16	40
23	4.40 \$	7.65 \$	98.2	93.27	70	14	28	70	16	40
24	4.55 \$	8.35 \$	101.8	97.29	70	14	28	75	16	40
25	4.70 \$	8.95 \$	105.8	101.33	70	14	28	80	16	40
26	5.00 \$	9.70 \$	110.0	105.36	70	16	30	85	20	40
27	5.25 \$	9.75 \$	114.0	109.40	70	16	30	85	20	40
28	5.40 \$	10.40 \$	118.0	113.42	70	16	30	90	20	40
29	6.15 \$	11.85 \$	122.0	117.46	80	16	30	95	20	40
30	6.35 \$	11.85 \$	126.1	121.5	80	16	30	100	20	40
31	7.15 \$	13.00 \$	130.2	125.54	90	16	30	100	20	40
32	7.40 \$	13.45 \$	134.3	129.56	90	16	30	100	20	40
33	7.60 \$	14.40 \$	138.4	133.60	90	16	30	100	20	40
34	7.80 \$	15.25 \$	142.6	137.64	90	16	30	100	20	40
35	8.00 \$	15.30 \$	146.7	141.68	90	16	30	100	20	40
36	9.45 \$	17.40 \$	151.0	145.72	90	16	35	100	20	40
37	9.75 \$	17.40 \$	154.6	149.76	90	16	35	100	20	40
38	9.90 \$	17.45 \$	158.6	153.80	90	16	35	100	20	40
39	10.20 \$	19.10 \$	162.7	157.83	90	16	35	100	20	40
40	10.45 \$	19.60 \$	166.8	161.87	90	16	35	100	20	40
41	10.85 \$	23.45 \$	171.4	165.91	90	20	40	108	20	50
42	11.80 \$	25.20 \$	175.4	169.94	90	20	40	108	20	50
43	12.10 \$	27.00 \$	179.7	173.98	90	20	40	108	20	50

STEEL SPROCKET

SPROCKETS for chain according to DIN 8 187 and ISO/R 606



DIMENSIONS	mm
Tooth Radius r_3	13
Radius Width C	1.3
Tooth Width B_1	7.2
Tooth Width b_1	7
Tooth Width B_2	21
CHAIN	mm
Pitch	12.7
Internal Width	7.75
Roller \varnothing	8.51

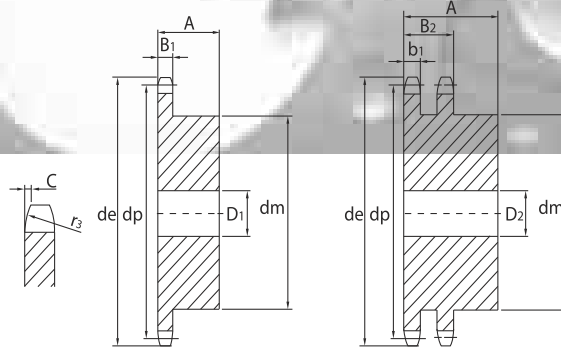
08 B1 - 1/2" Simplex
08 B2 - 1/2" Duplex

MATERIAL : DIN C45 - AISI 1045

Z	UNIT PRICES		DIMENSIONS							
	SIMPLEX PRICE	DUBLEX PRICE	d_e	d_p	SIMPLEX			DUBLEX		
					d_m	D_1	A	d_m	D_2	A
44	12.40 \$	30.25 \$	183.80	178.02	90	20	40	108	20	50
45	12.90 \$	31.70 \$	188.80	182.07	90	20	40	108	20	50
46	13.70 \$	34.20 \$	192.10	186.10	90	20	40	108	20	50
47	13.85 \$	37.10 \$	196.20	190.14	90	20	40	108	20	50
48	14.10 \$	39.15 \$	200.30	194.18	90	20	40	108	20	50
49	14.80 \$	39.65 \$	204.30	198.22	90	20	40	108	20	50
50	15.00 \$	41.45 \$	208.30	202.26	90	20	40	108	20	50
51	19.40 \$	43.25 \$	212.10	206.30	90	20	40	108	25	50
52	19.75 \$	43.25 \$	216.10	210.34	90	20	40	108	25	50
53	20.00 \$	45.00 \$	220.26	214.37	90	20	40	108	25	50
54	20.35 \$	46.85 \$	224.10	218.43	90	20	40	108	25	50
55	20.70 \$	47.20 \$	228.10	222.46	90	20	40	108	25	50
56	21.25 \$	47.60 \$	232.20	226.50	90	20	40	108	25	50
57	21.60 \$	48.65 \$	236.40	230.54	90	20	40	108	25	50
58	22.95 \$	50.45 \$	240.50	234.58	90	20	40	108	25	50
59	23.40 \$	52.25 \$	244.50	238.62	90	20	40	108	25	50
60	24.00 \$	53.50 \$	248.60	242.66	90	20	40	108	25	50
61	24.30 \$	54.00 \$	252.60	246.70	90	25	40	108	25	50
62	24.70 \$	54.80 \$	256.60	250.74	90	25	40	108	25	50
63	25.20 \$	55.85 \$	260.90	254.79	90	25	40	108	25	50
64	25.60 \$	57.65 \$	264.70	258.82	90	25	40	108	25	50
65	25.75 \$	57.75 \$	268.80	262.86	90	25	40	108	25	50
66	26.00 \$	58.20 \$	272.80	266.91	90	25	40	108	25	50
67	26.10 \$	58.55 \$	277.00	270.95	90	25	40	108	25	56
68	26.70 \$	58.90 \$	281.00	274.99	90	25	40	108	25	56
69	27.00 \$	59.50 \$	285.00	279.03	90	25	40	108	25	56
70	28.20 \$	62.25 \$	289.00	283.07	90	25	40	108	25	56
71	28.85 \$	63.80 \$	293.00	287.11	90	25	40	108	25	56
72	29.00 \$	64.90 \$	297.10	291.15	90	25	40	108	25	56
73	30.00 \$	66.70 \$	301.20	295.20	90	25	40	108	25	56
74	30.60 \$	68.50 \$	305.20	299.24	90	25	40	108	25	56
75	31.90 \$	71.00 \$	309.20	303.28	90	25	40	108	25	56
76	32.75 \$	73.00 \$	313.20	307.32	90	25	40	108	25	56

STEEL SPROCKET

SPROCKETS for chain according to DIN 8 187 and ISO/R 606



DIMENSIONS	mm
Tooth Radius r_3	16
Radius Width C	1.6
Tooth Width B_1	9.1
Tooth Width b_1	9
Tooth Width B_2	25.5
CHAIN	mm
Pitch	15.875
Internal Width	9.65
Roller \varnothing	10.16

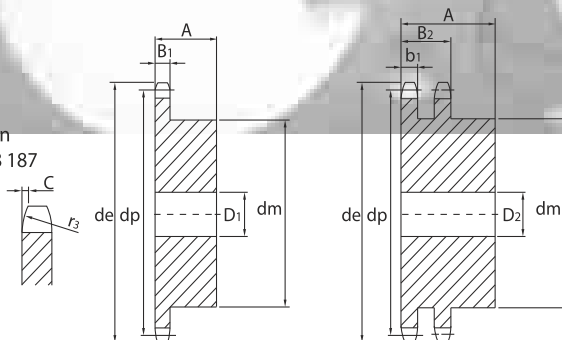
MATERIAL : DIN C45 - AISI 1045

08 B1 - 5/8" Simplex
08 B2 - 5/8" Duplex

Z	UNIT PRICES		DIMENSIONS							
	SIMPLEX PRICE	DUBLEX PRICE	de	dp	SIMPLEX			DUBLEX		
					dm	D1	A	dm	D2	A
10	1.85 \$	4.15 \$	57.5	51.37	35	10	25	35	12	40
11	2.05 \$	4.15 \$	63.0	26.34	37	12	30	39	14	40
12	2.40 \$	4.60 \$	68.0	61.34	42	12	30	44	14	40
13	2.90 \$	5.00 \$	73.0	66.32	47	12	30	49	14	40
14	3.00 \$	5.50 \$	78.0	71.34	52	12	30	54	14	40
15	3.40 \$	5.90 \$	83.0	76.36	57	12	30	59	14	40
16	3.60 \$	7.00 \$	88.0	81.37	60	12	30	64	16	45
17	4.00 \$	7.60 \$	93.0	86.39	60	12	30	69	16	45
18	4.60 \$	8.25 \$	98.3	91.42	70	14	30	74	16	45
19	5.25 \$	8.95 \$	103.3	96.45	70	14	30	79	16	45
20	5.60 \$	10.45 \$	108.4	101.49	75	14	30	84	16	45
21	6.00 \$	11.25 \$	113.4	106.72	75	16	30	85	16	45
22	6.10 \$	11.30 \$	118.0	111.55	80	16	30	90	16	45
23	6.40 \$	12.90 \$	123.5	116.58	80	16	30	95	16	45
24	6.85 \$	12.90 \$	128.3	121.62	80	16	30	100	16	45
25	7.00 \$	14.65 \$	134.0	126.66	80	16	30	105	16	45
26	8.30 \$	14.70 \$	139.0	131.70	85	20	35	110	20	45
27	8.55 \$	16.60 \$	144.0	136.75	85	20	35	110	20	45
28	9.90 \$	16.75 \$	148.7	141.78	90	20	35	115	20	45
29	10.00 \$	18.35 \$	153.8	146.83	90	20	35	115	20	45
30	10.85 \$	19.10 \$	158.8	151.87	90	20	35	120	20	45
31	11.15 \$	20.70 \$	163.9	156.92	95	20	35	120	20	45
32	11.50 \$	21.60 \$	168.9	161.95	95	20	35	120	20	45
33	12.10 \$	22.35 \$	174.5	167.00	95	20	35	120	20	45
34	12.45 \$	23.90 \$	179.0	172.05	95	20	35	120	20	45
35	13.00 \$	26.50 \$	184.1	177.10	95	20	35	120	20	45
36	13.85 \$	27.15 \$	189.1	182.15	100	20	35	120	20	45
37	14.75 \$	29.70 \$	194.2	187.20	100	20	35	120	20	45
38	15.00 \$	30.40 \$	199.2	192.24	100	20	35	120	20	45
39	16.20 \$	32.45 \$	204.2	197.29	100	20	35	120	20	45
40	18.00 \$	33.35 \$	209.3	202.34	100	20	35	120	20	45
41	19.85 \$	36.10 \$	214.8	207.38	100	20	40	120	20	50
42	21.60 \$	39.65 \$	219.9	212.43	100	20	40	120	20	50
43	22.90 \$	45.10 \$	224.9	217.48	100	20	40	120	20	50

STEEL SPROCKET

SPROCKETS for chain according to DIN 8 187 and ISO/R 606



DIMENSIONS	mm
Tooth Radius r_3	16
Radius Width C	1.6
Tooth Width B_1	9.1
Tooth Width b_1	9
Tooth Width B_2	25.5

CHAIN	mm
Pitch	15.875
Internal Width	9.65
Roller \varnothing	10.16

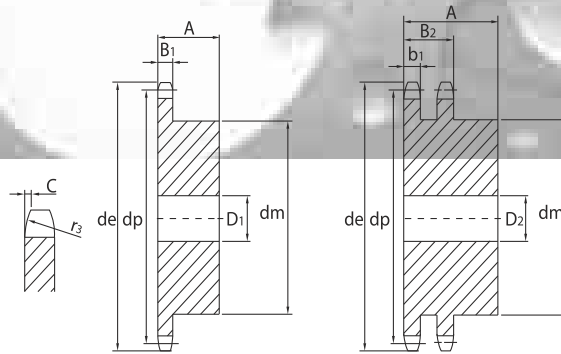
10 B1 - 5/8" Simplex
10 B2 - 5/8" Duplex

MATERIAL : DIN C45 - AISI 1045

Z	UNIT PRICES		DIMENSIONS							
	SIMPLEX PRICE	DUBLEX PRICE	d_e	d_p	SIMPLEX			DUBLEX		
					d_m	D_1	A	d_m	D_2	A
44	23.65 \$	46.85 \$	230.00	222.53	100	20	40	120	20	50
45	25.50 \$	52.00 \$	235.00	227.58	100	20	40	120	20	50
46	25.80 \$	54.05 \$	240.00	232.63	100	20	40	120	20	50
47	26.30 \$	55.85 \$	245.10	237.68	100	20	40	120	20	50
48	26.85 \$	57.65 \$	250.20	242.73	100	20	40	120	20	50
49	27.20 \$	58.75 \$	255.20	247.78	100	20	40	120	20	50
50	27.75 \$	59.65 \$	260.30	252.82	100	20	40	120	20	50
51	28.30 \$	61.25 \$	265.30	257.87	100	20	40	120	20	50
52	28.85 \$	63.00 \$	270.40	262.92	100	20	40	120	20	50
53	29.55 \$	64.85 \$	275.40	267.97	100	20	40	120	20	50
54	30.25 \$	65.40 \$	280.50	273.03	100	20	40	120	20	50
55	30.90 \$	67.48 \$	285.50	278.08	100	20	40	120	20	50
56	34.00 \$	68.50 \$	290.60	283.13	100	20	40	120	20	50
57	34.90 \$	70.25 \$	296.00	288.18	100	20	40	120	20	50
58	36.00 \$	73.90 \$	300.70	293.23	100	20	43	120	20	57
59	36.20 \$	75.65 \$	305.70	298.28	100	20	43	120	20	57
60	36.50 \$	79.10 \$	310.80	303.33	100	20	43	120	20	57
61	37.85 \$	81.10 \$	315.90	308.38	100	20	50	130	20	63
62	39.65 \$	82.90 \$	321.40	313.43	100	25	43	120	25	57
63	40.00 \$	84.70 \$	326.40	318.48	100	20	50	130	20	63
64	40.70 \$	86.50 \$	331.50	323.53	100	25	43	120	25	57
65	41.40 \$	88.45 \$	336.60	328.58	100	25	43	120	25	57
66	45.00 \$	91.90 \$	341.60	333.64	100	25	43	120	25	57
67	48.65 \$	93.70 \$	346.70	338.69	100	20	50	130	20	63
68	50.50 \$	95.50 \$	351.70	343.74	100	25	43	120	25	57
69	50.80 \$	99.10 \$	356.70	348.79	100	20	50	130	20	63
70	51.65 \$	103.70 \$	361.80	353.84	100	25	43	120	25	57
71	53.50 \$	106.30 \$	366.80	358.89	100	20	50	130	20	63
72	54.00 \$	108.10 \$	371.90	363.94	100	25	43	120	25	57
73	57.65 \$	111.70 \$	376.90	369.00	100	20	50	130	20	63
74	61.25 \$	113.50 \$	381.90	374.05	100	20	50	130	20	63
75	63.60 \$	117.20 \$	387.10	379.10	100	25	43	120	25	57
76	63.60 \$	120.00 \$	392.10	384.15	100	25	43	120	25	57

STEEL SPROCKET

SPROCKETS for chain according to DIN 8 187 and ISO/R 606



DIMENSIONS	mm
Tooth Radius r_3	19
Radius Width C	2
Tooth Width B_1	11.1
Tooth Width b_1	10.8
Tooth Width B_2	30.3
CHAIN	mm
Pitch	19.05
Internal Width	11.38
Roller \varnothing	12.07

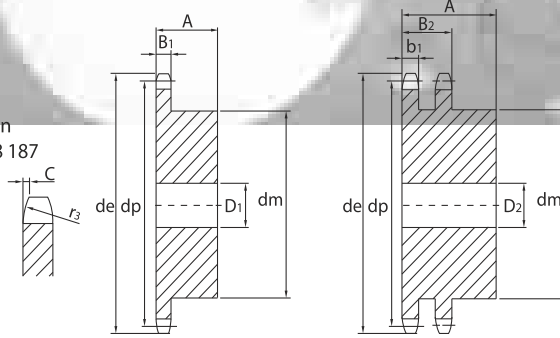
MATERIAL : DIN C45 - AISI 1045

12 B1 - 3/4" Simplex
12 B2 - 3/4" Duplex

Z	UNIT PRICES		DIMENSIONS							
	SIMPLEX PRICE	DUBLEX PRICE	de	dp	SIMPLEX			DUBLEX		
					dm	D1	A	dm	D2	A
10	2.60 \$	6.45 \$	69.0	61.64	42	12	30	42	12	45
11	3.10 \$	6.45 \$	75.0	67.61	46	14	35	47	16	50
12	3.65 \$	7.00 \$	81.5	73.61	52	14	35	53	16	50
13	4.10 \$	7.65 \$	87.5	79.59	58	14	35	59	16	50
14	4.80 \$	8.35 \$	93.6	85.61	64	14	35	65	16	50
15	5.35 \$	9.80 \$	99.8	91.63	70	14	35	71	16	50
16	6.00 \$	10.60 \$	105.5	97.65	75	16	35	77	20	50
17	6.65 \$	11.50 \$	111.5	103.67	80	16	35	83	20	50
18	7.00 \$	12.35 \$	118.0	109.71	80	16	35	89	20	50
19	7.40 \$	14.15 \$	124.2	115.75	80	16	35	95	20	50
20	7.90 \$	14.20 \$	129.7	121.78	80	16	35	100	20	50
21	9.75 \$	16.05 \$	136.0	127.82	90	20	40	100	20	50
22	10.15 \$	18.30 \$	141.8	133.86	90	20	40	100	20	50
23	10.60 \$	18:35 \$	149.0	139.90	90	20	40	110	20	50
24	11.45 \$	20.85 \$	153.9	145.94	90	20	40	110	20	50
25	11.95 \$	23.45 \$	160.0	152.00	90	20	40	120	20	50
26	12.90 \$	25.20 \$	165.9	158.04	95	20	40	120	20	50
27	13.55 \$	26.50 \$	172.3	164.09	95	20	40	120	20	50
28	14.15 \$	26.50 \$	178.0	170.13	95	20	40	120	20	50
29	14.45 \$	30.60 \$	184.1	176.19	95	20	40	120	20	50
30	15.60 \$	32.60 \$	190.5	182.25	95	20	40	120	20	50
31	16.20 \$	36.00 \$	196.3	188.31	95	20	40	120	20	50
32	17.75 \$	37.55 \$	203.3	194.35	95	20	40	120	20	50
33	15.00 \$	46.30 \$	209.3	200.40	95	20	40	120	20	50
34	19.10 \$	51.60 \$	214.6	206.46	95	20	40	120	20	50
35	20.00 \$	55.30 \$	221.0	212.52	95	20	40	120	20	50
36	23.60 \$	57.20 \$	226.8	218.58	100	20	40	120	25	50
37	24.50 \$	59.45 \$	232.9	224.64	100	20	40	120	25	50
38	25.20 \$	63.00 \$	239.0	230.69	100	20	40	120	25	50
39	26.30 \$	64.95 \$	245.1	236.75	100	20	40	120	25	50
40	27.00 \$	67.85 \$	251.3	242.81	100	20	40	120	25	50
41	28.85 \$	70.25 \$	257.3	248.86	110	20	56	136	25	62
42	30.60 \$	72.10 \$	264.5	254.92	110	20	56	136	25	62
43	32.45 \$	77.50 \$	270.5	260.98	110	20	56	136	25	62

STEEL SPROCKET

SPROCKETS for chain according to DIN 8 187 and ISO/R 606



DIMENSIONS	mm
Tooth Radius r_3	19
Radius Width C	2
Tooth Width B_1	11.1
Tooth Width b_1	10.8
Tooth Width B_2	30.3
CHAIN	mm
Pitch	19.05
Internal Width	11.38
Roller Ø	12.07

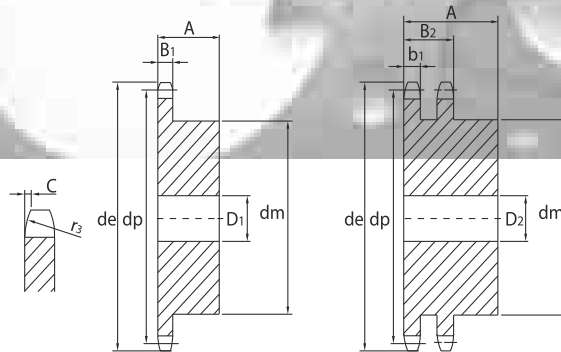
MATERIAL : DIN C45 - AISI 1045

12 B1 - 3/4" Simplex
12 B2 - 3/4" Duplex

Z	UNIT PRICES		DIMENSIONS							
	SIMPLEX PRICE	DUBLEX PRICE	de	dp	SIMPLEX			DUBLEX		
					dm	D1	A	dm	D2	A
44	36.00 \$	81.10 \$	276.5	267.03	110	20	56	136	25	62
45	38.65 \$	83.90 \$	282.5	273.09	110	20	56	136	25	62
46	39.65 \$	89.55 \$	287.90	279.15	110	20	56	136	25	62
47	41.45 \$	91.90 \$	294.00	285.21	110	20	56	136	25	62
48	42.45 \$	94.30 \$	300.10	291.27	110	20	56	136	25	62
49	43.25 \$	96.75 \$	306.20	297.33	110	20	56	136	25	62
50	43.85 \$	98.30 \$	312.30	303.39	110	20	56	136	25	62
51	45.00 \$	106.30 \$	318.40	309.45	110	20	56	136	25	62
52	46.30 \$	104.50 \$	324.50	315.51	110	20	56	136	25	62
53	46.85 \$	106.30 \$	330.50	321.57	110	20	56	136	25	62
54	47.20 \$	108.10 \$	336.60	327.63	110	20	56	136	25	62
55	48.20 \$	110.95 \$	342.70	333.69	110	20	56	136	25	62
56	50.45 \$	113.50 \$	348.70	339.75	110	20	56	136	25	62
57	54.00 \$	117.00 \$	355.40	345.81	110	20	56	136	25	62
58	55.85 \$	122.50 \$	361.50	351.87	110	20	56	136	25	62
59	57.65 \$	126.10 \$	367.50	357.93	110	20	56	136	25	62
60	59.15 \$	131.85 \$	373.00	363.99	110	20	56	136	25	62
61	61.25 \$	133.30 \$	379.00	370.06	110	20	56	140	25	63
62	64.85 \$	144.15 \$	385.10	376.12	110	25	56	136	30	62
63	66.65 \$	147.75 \$	391.10	382.18	110	20	56	140	25	63
64	69.75 \$	150.65 \$	397.20	388.24	110	25	56	140	30	63
65	70.65 \$	152.00 \$	403.30	394.30	110	25	56	140	30	63
66	72.00 \$	156.75 \$	409.20	400.36	110	30	56	140	30	63
67	73.85 \$	160.35 \$	415.20	406.42	110	20	56	140	25	63
68	75.65 \$	164.00 \$	421.40	412.49	110	30	56	140	30	63
69	77.50 \$	167.55 \$	427.30	418.55	110	20	56	140	25	63
70	79.35 \$	172.50 \$	433.60	424.61	110	30	56	140	30	63
71	80.55 \$	174.75 \$	439.50	430.67	110	20	56	140	25	63
72	84.65 \$	178.35 \$	445.70	436.73	110	30	56	140	30	63
73	86.50 \$	189.20 \$	451.70	442.79	110	20	56	140	25	63
74	87.75 \$	196.40 \$	457.80	448.86	110	20	56	140	25	63
75	90.00 \$	201.80 \$	463.90	454.92	110	30	56	140	30	63
76	91.20 \$	204.40 \$	469.90	460.98	110	30	56	140	30	63

STEEL SPROCKET

SPROCKETS for chain according to DIN 8 187 and ISO/R 606



DIMENSIONS	mm
Tooth Radius r_3	26
Radius Width C	2.5
Tooth Width B_1	16.2
Tooth Width b_1	15.8
Tooth Width B_2	47.7
CHAIN	mm
Pitch	25.4
Internal Width	17.02
Roller \varnothing	18.88

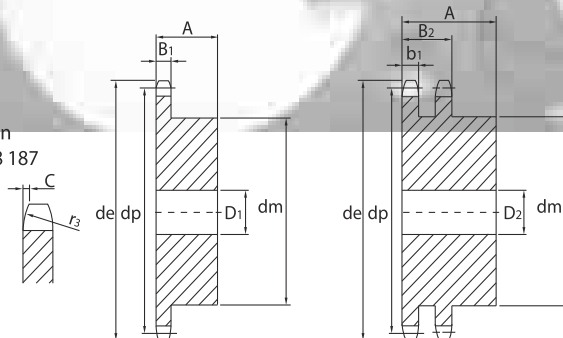
MATERIAL : DIN C45 - AISI 1045

16 B1 - 1" Simplex
16 B2 - 1" Duplex

Z	UNIT PRICES		DIMENSIONS							
	SIMPLEX PRICE	DUBLEX PRICE	de	dp	SIMPLEX			DUBLEX		
					dm	D1	A	dm	D2	A
10	4.80 \$	13.90 \$	93.0	82.19	55	16	35	56	16	65
11	5.85 \$	13.90 \$	101.5	90.14	61	16	40	64	20	70
12	6.95 \$	13.90 \$	109.0	98.14	69	16	40	72	20	70
13	8.10 \$	16.30 \$	117.0	106.12	78	16	40	80	20	70
14	9.20 \$	18.75 \$	125.0	114.15	84	16	40	88	20	70
15	10.20 \$	21.45 \$	133.0	122.17	92	16	40	96	20	70
16	13.00 \$	24.45 \$	141.0	130.20	100	20	45	104	20	70
17	13.65 \$	27.00 \$	149.0	138.22	100	20	45	112	20	70
18	15.10 \$	28.85 \$	157.0	146.28	100	20	45	120	20	70
19	16.35 \$	31.35 \$	165.2	154.33	100	20	45	128	20	70
20	17.10 \$	35.00 \$	173.2	162.38	100	20	45	130	20	70
21	20.20 \$	39.15 \$	181.2	170.43	110	20	50	130	25	70
22	21.65 \$	41.45 \$	189.3	178.48	110	20	50	130	25	70
23	22.50 \$	44.60 \$	197.5	186.53	110	20	50	130	25	70
24	23.90 \$	49.50 \$	205.5	194.59	110	20	50	130	25	70
25	25.45 \$	55.45 \$	213.5	202.66	110	20	50	130	25	70
26	32.15 \$	59.80 \$	221.6	210.72	120	20	50	130	25	70
27	34.25 \$	64.90 \$	229.6	218.79	120	20	50	130	25	70
28	35.00 \$	69.90 \$	237.7	226.85	120	20	50	130	25	70
29	36.00 \$	72.10 \$	245.8	234.92	120	20	50	130	25	70
30	38.20 \$	77.70 \$	254.0	243.00	120	20	50	130	25	70
31	39.65 \$	79.25 \$	262.0	251.08	120	25	50	140	25	70
32	41.60 \$	82.90 \$	270.0	259.13	120	25	50	140	25	70
33	43.35 \$	90.25 \$	278.5	267.21	120	25	50	140	25	70
34	45.20 \$	99.10 \$	287.0	275.28	120	25	50	140	25	70
35	48.45 \$	102.70 \$	296.2	283.36	120	25	50	140	25	70
36	49.30 \$	108.10 \$	304.6	291.44	120	25	50	140	25	70
37	50.45 \$	111.70 \$	312.6	299.51	120	25	50	140	25	70
38	52.25 \$	117.05 \$	320.7	307.59	120	25	50	140	25	70
39	55.85 \$	119.00 \$	328.8	315.67	120	25	50	140	25	70
40	56.65 \$	126.10 \$	336.9	323.75	120	25	50	140	25	70
41	59.45 \$	133.35 \$	345.0	331.81	125	25	68	140	25	70
42	62.45 \$	140.55 \$	353.0	339.89	125	25	68	140	25	70
43	66.00 \$	144.10 \$	361.1	347.97	125	25	68	140	25	70

STEEL SPROCKET

SPROCKETS for chain according to DIN 8 187 and ISO/R 606



DIMENSIONS	mm
Tooth Radius r_3	26
Radius Width C	2.5
Tooth Width B_1	16.2
Tooth Width b_1	15.8
Tooth Width B_2	47.7
CHAIN	mm
Pitch	25.4
Internal Width	17.02
Roller \varnothing	18.88

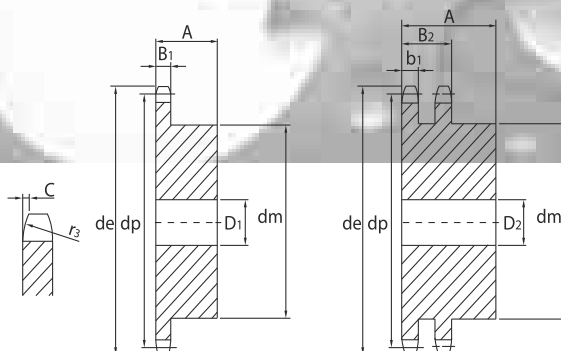
16 B1 - 1" Simplex
16 B2 - 1" Duplex

MATERIAL : DIN C45 - AISI 1045

Z	UNIT PRICES		DIMENSIONS							
	SIMPLEX PRICE	DUBLEX PRICE	de	dp	SIMPLEX			DUBLEX		
					dm	D1	A	dm	D2	A
44	69.65 \$	147.75 \$	369.1	356.05	125	25	68	140	25	70
45	73.25 \$	157.35 \$	377.1	364.12	125	25	68	140	25	70
46	76.85 \$	158.60 \$	385.20	372.20	125	25	68	140	25	70
47	80.45 \$	162.15 \$	393.20	380.28	125	25	68	140	25	70
48	87.65 \$	169.35 \$	401.30	388.36	125	25	68	140	25	70
49	91.30 \$	180.20 \$	409.30	396.44	125	25	68	140	25	70
50	94.90 \$	189.00 \$	417.40	404.52	125	25	68	140	25	70
51	98.50 \$	194.60 \$	425.50	412.60	120	25	68	150	25	85
52	102.10 \$	202.00 \$	433.60	420.68	120	25	68	150	25	85
53	105.70 \$	213.00 \$	441.70	428.76	120	25	68	150	25	85
54	108.10 \$	222.00 \$	448.30	436.84	120	25	68	150	25	85
55	109.40 \$	228.00 \$	457.90	444.92	120	25	68	150	25	85
56	113.50 \$	235.00 \$	466.00	453.01	120	25	68	150	25	85
57	117.10 \$	245.00 \$	474.00	461.08	120	25	68	150	25	85
58	124.30 \$	253.00 \$	482.10	469.16	120	25	68	150	25	85
59	128.00 \$	256.00 \$	490.20	477.24	120	25	68	150	25	85
60	130.15 \$	263.00 \$	498.30	485.33	120	25	68	150	25	85
61	137.00 \$	267.00 \$	506.40	493.41	140	25	80	160	25	90
62	138.75 \$	274.00 \$	514.50	501.49	133	30	68	150	30	85
63	142.35 \$	281.00 \$	522.60	509.57	140	25	80	160	25	90
64	143.25 \$	292.00 \$	530.70	517.65	140	30	68	160	30	90
65	144.10 \$	298.00 \$	538.80	525.73	140	30	68	160	30	90
66	151.35 \$	303.00 \$	546.80	533.82	140	30	68	160	30	90
67	155.00 \$	317.00 \$	554.90	541.90	140	25	80	160	25	90
68	161.65 \$	324.00 \$	562.90	549.98	140	30	68	160	30	90
69	165.75 \$	332.00 \$	570.90	558.06	140	25	80	160	25	90
70	171.60 \$	339.00 \$	579.20	566.15	140	30	68	160	30	90
71	174.75 \$	350.00 \$	587.00	574.23	140	25	80	160	25	90
72	176.60 \$	360.00 \$	595.30	582.31	140	30	68	160	30	90
73	178.35 \$	368.00 \$	603.20	590.39	140	25	80	160	25	90
74	182.00 \$	379.00 \$	611.30	598.48	140	25	80	160	25	90
75	183.75 \$	386.00 \$	619.60	606.56	140	30	68	160	30	90
76	187.00 \$	395.00 \$	627.00	614.64	140	30	68	160	30	90

STEEL SPROCKET

SPROCKETS for chain according to DIN 8 187 and ISO/R 606



DIMENSIONS		mm
Tooth Radius r_3		32
Radius Width C		3.5
Tooth Width B_1		18.5
Tooth Width b_1		18.1
Tooth Width B_2		54.6
CHAIN		mm
Pitch		31.75
Internal Width		19.56
Roller \varnothing		19.05

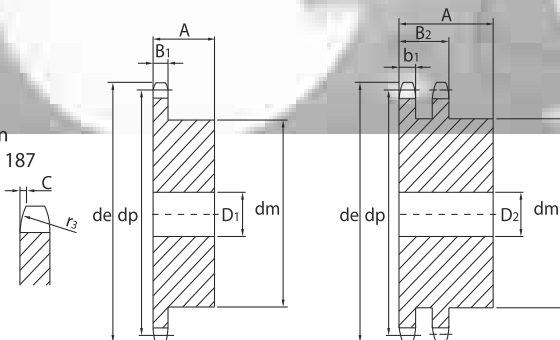
MATERIAL : DIN C45 - AISI 1045

20 B1 - 1 1/4 " Simplex
20 B2 - 1 1/4 " Duplex

Z	UNIT PRICES		DIMENSIONS							
	SIMPLEX PRICE	DUBLEX PRICE	d_e	d_p	SIMPLEX			DUBLEX		
					d_m	D_1	A	d_m	D_2	A
11	8.50 \$	22.10 \$	127.80	112.68	77	20	45	80	20	80
12	10.60 \$	25.75 \$	137.80	122.68	88	20	45	90	20	80
13	12.60 \$	28.75 \$	147.80	132.65	98	20	45	100	20	80
14	14.80 \$	33.35 \$	157.80	142.68	108	20	45	110	20	80
15	17.55 \$	36.70 \$	167.90	152.72	118	20	45	120	20	80
16	20.00 \$	41.55 \$	177.90	162.75	120	20	50	120	25	80
17	23.15 \$	46.00 \$	187.90	172.78	120	25	50	120	25	80
18	24.60 \$	52.00 \$	198.00	182.85	120	25	50	120	25	80
19	27.00 \$	57.45 \$	208.10	192.91	120	25	50	120	25	80
20	31.00 \$	64.15 \$	218.10	202.98	120	25	50	120	25	80
21	36.00 \$	72.80 \$	228.20	213.04	140	25	55	140	25	80
22	39.00 \$	85.85 \$	238.30	223.11	140	25	55	140	25	80
23	41.50 \$	89.00 \$	248.30	233.17	140	25	55	140	25	80
24	43.00 \$	94.00 \$	258.40	243.23	140	25	55	140	25	80
25	45.00 \$	101.00 \$	268.50	253.33	140	25	55	140	25	80
26	46.00 \$	107.00 \$	278.60	263.40	150	25	55	150	25	80
27	52.00 \$	112.00 \$	288.60	273.49	150	25	55	150	25	80
28	54.00 \$	125.00 \$	298.70	283.56	150	25	55	150	25	80
29	59.00 \$	135.00 \$	308.80	293.65	150	25	55	150	25	80
30	62.00 \$	141.00 \$	318.90	303.75	150	25	55	150	25	80

STEEL SPROCKET

SPROCKETS for chain according to DIN 8 187 and ISO/R 606



DIMENSIONS	mm
Tooth Radius r_3	32
Radius Width C	3.5
Tooth Width B_1	18.5
Tooth Width b_1	18.1
Tooth Width B_2	54.6
CHAIN	mm
Pitch	31.75
Internal Width	19.56
Roller \varnothing	19.05

24 B1 - 1 1/2" Simplex
24 B2 - 1 1/2" Duplex

MATERIAL : DIN C45 - AISI 1045

Z	UNIT PRICES		DIMENSIONS							
	SIMPLEX PRICE	DUBLEX PRICE	d_e	d_p	SIMPLEX			DUBLEX		
					d_m	D_1	A	d_m	D_2	A
11	24.35 \$	41.00 \$	150.00	135.21	90	25	50	90	25	100
12	24.00 \$	46.00 \$	162.00	147.22	102	25	50	102	25	100
13	25.00 \$	51.50 \$	174.20	159.18	114	25	50	114	25	100
14	29.00 \$	59.00 \$	186.20	171.22	128	25	50	128	25	100
15	33.00 \$	65.00 \$	198.20	183.26	132	25	50	132	25	100
16	37.15 \$	89.00 \$	210.30	195.30	136	25	55	136	25	100
17	42.00 \$	101.00 \$	222.30	207.34	136	25	55	136	25	100
18	44.00 \$	113.00 \$	234.30	219.42	136	25	55	150	25	100
19	48.00 \$	121.00 \$	246.50	231.49	136	25	55	160	25	100
20	50.00 \$	134.00 \$	258.60	243.57	136	25	55	160	25	100
21	57.00 \$	138.00 \$	270.60	255.65	150	25	60	160	25	100
22	60.00 \$	156.00 \$	282.70	267.73	150	25	60	160	25	100
23	65.00 \$	160.00 \$	294.80	279.80	150	25	60	160	25	100
24	70.00 \$	175.00 \$	306.80	291.88	150	25	60	160	25	100
25	76.00 \$	184.00 \$	319.00	304.00	150	25	60	160	25	100
26	81.00 \$	197.00 \$	331.00	316.08	150	30	60	160	30	100
27	84.00 \$	210.00 \$	343.20	328.19	150	30	60	160	30	100
28	89.00 \$	224.00 \$	355.20	340.27	150	30	60	160	30	100
29	98.00 \$	239.00 \$	367.30	352.38	150	30	60	160	30	100
30	101.00 \$	250.00 \$	379.50	364.50	150	30	60	160	30	100





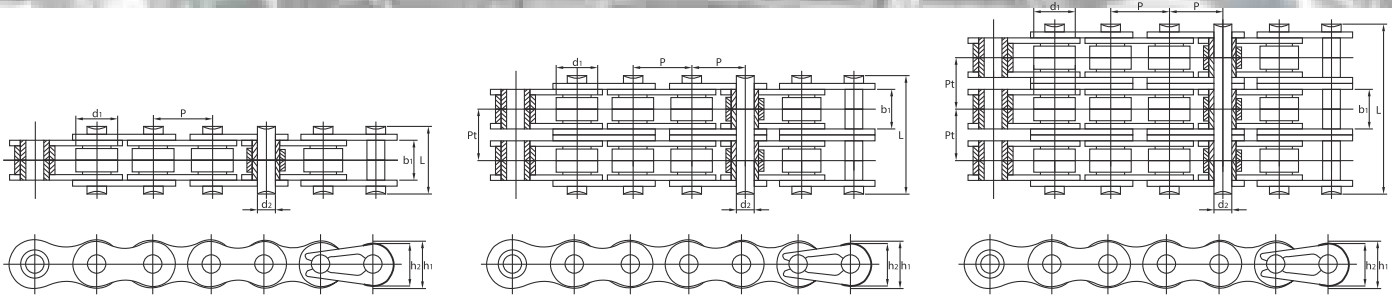
B SERIES TRANSMISSION CHAINS



B SERIES TRANSMISSION CHAINS

CODE	DESCRIPTION	UNIT PRICE (mt)	UNIT PRICE CONECTING LINK	UNIT PRICE OFFSET LINK
06B-1	3/8" SIMPLEX	5.50 \$	0.20 \$	0.43 \$
06B-2	3/8" DUBLEX	11.05 \$	0.45 \$	0.85 \$
06B-3	3/8" TRIPLEX	17.35 \$	0.62 \$	1.25 \$
08B-1	1/2" SIMPLEX	5.10 \$	0.25 \$	0.50 \$
08B-2	1/2" DUBLEX	9.70 \$	0.50 \$	0.95 \$
08B-3	1/2" TRIPLEX	22.00 \$	0.75 \$	1.50 \$
10B-1	5/8" SIMPLEX	6.75 \$	0.40 \$	0.80 \$
10B-2	5/8" DUBLEX	18.00 \$	0.70 \$	1.30 \$
10B-3	5/8" TRIPLEX	30.00 \$	1.05 \$	2.00 \$
12B-1	3/4" SIMPLEX	8.50 \$	0.50 \$	1.00 \$
12B-2	3/4" DUBLEX	20.00 \$	1.00 \$	1.75 \$
12B-3	3/4" TRIPLEX	25.50 \$	1.45 \$	2.75 \$
16B-1	1" SIMPLEX	18.15 \$	1.20 \$	2.00 \$
16B-2	1" DUBLEX	36.00 \$	2.00 \$	2.90 \$
16B-3	1" TRIPLEX	80.00 \$	3.30 \$	6.50 \$
20B-1	1 1/4" SIMPLEX	26.00 \$	2.25 \$	4.00 \$
20B-2	1 1/4" DUBLEX	76.00 \$	4.20 \$	7.90 \$
20B-3	1 1/4" TRIPLEX	118.00 \$	6.50 \$	12.50 \$
24B-1	1 1/2" SIMPLEX	50.00 \$	4.50 \$	7.50 \$
24B-2	1 1/2" DUBLEX	144.00 \$	8.20 \$	14.50 \$
24B-3	1 1/2" TRIPLEX	220.00 \$	12.50 \$	22.00 \$
28B-1	1 3/4" SIMPLEX	100.00 \$	7.50 \$	13.00 \$
28B-2	1 3/4" DUBLEX	190.00 \$	14.00 \$	25.00 \$
28B-3	1 3/4" TRIPLEX	295.00 \$	20.00 \$	38.00 \$
32B-1	2" SIMPLEX	73.00 \$	10.00 \$	18.00 \$
32B-2	2" DUBLEX	205.00 \$	19.00 \$	35.00 \$
32B-3	2" TRIPLEX	300.00 \$	35.00 \$	65.00 \$
40B-1	2 1/2" SIMPLEX	180.00 \$	19.25 \$	33.00 \$
40B-2	2 1/2" DUBLEX	360.00 \$	35.00 \$	64.00 \$
40B-3	2 1/2" TRIPLEX	1.270.00 \$	68.00 \$	130.00 \$

B SERIES TRANSMISSION CHAINS



ACCORDING TO ISO606 AND DIN

CODE	DESCRIPTION	P (Pitch)		d ₁ (max)	B ₁ (min)	d ₂ (max)	h ₁ (min)	h ₂ (max)	Pt	L(max)	Q(min)	q
		mm	inç									
06B-1	3/8" SIMPLEX									13.5	8.9	0.4
06B-2	3/8" DUBLEX	9.525	3/8"	6.35	5.72	3.28	8.52	8.25	10.24	23.8	16.9	0.8
06B-3	3/8" TRIPLEX									34.0	24.9	1.2
08B-1	1/2" SIMPLEX									17.0	17.8	0.7
08B-2	1/2" DUBLEX	12.70	1/2"	8.51	7.75	4.45	12.07	11.81	13.92	31.0	31.1	1.4
08B-3	1/2" TRIPLEX									44.9	44.5	2.1
10B-1	5/8" TRIPLEX									19.6	22.2	1.0
10B-2	5/8" DUBLEX	15.875	1/2"	10.16	9.65	5.08	14.99	14.73	16.59	36.2	44.5	1.9
10B-3	5/8" TRIPLEX									52.8	66.7	2.8
12B-1	3/4" SIMPLEX									22.7	28.9	1.2
12B-2	3/4" DUBLEX	19.05	3/4"	12.07	11.68	5.72	16.39	16.13	19.46	42.2	57.8	2.4
12B-3	3/4" TRIPLEX									61.7	86.7	3.5
16B-1	1" SIMPLEX									36.1	60	2.7
16B-2	1" DUBLEX	25.40	1"	15.88	17.02	8.28	21.34	21.08	31.88	68.0	106	5.4
16B-3	1" TRIPLEX									99.9	160	8.2
20B-1	1 1/4" SIMPLEX									43.2	95	3.7
20B-2	1 1/4" DUBLEX	31.75	1 1/4"	19.05	19.56	10.19	26.68	26.42	36.45	79.7	170	7.2
20B-3	1 1/4" TRIPLEX									116.1	250	10.9
24B-1	1 1/2" SIMPLEX									53.4	160	7.1
24B-2	1 1/2" DUBLEX	38.10	1 1/2"	25.40	25.40	14.63	33.73	33.40	48.36	101.8	280	13.4
24B-3	1 1/2" TRIPLEX									150.2	425	20.1
28B-1	1 3/4" SIMPLEX									65.1	200	8.5
28B-2	1 3/4" DUBLEX	44.45	1 3/4"	27.94	30.99	15.90	37.46	37.08	59.56	124.7	360	16.6
28B-3	1 3/4" TRIPLEX									184.3	530	24.9
32B-1	2" SIMPLEX									67.4	250	10.3
32B-2	2" DUBLEX	50.80	2"	29.21	30.99	17.81	42.72	42.29	58.55	126.0	450	21.0
32B-3	2" TRIPLEX									184.5	670	31.6
40B-1	2 1/2" SIMPLEX									82.6	355	16.4
40B-2	2 1/2" DUBLEX	63.50	2 1/2"	39.37	38.10	22.89	53.49	52.96	72.29	154.9	630	32.0
40B-3	2 1/2" TRIPLEX									227.2	950	48.1

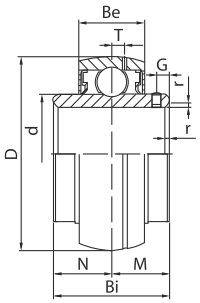
PILLOW BLOCK



PILLOW BLOCK

PILLOW BLOCK

UC SERIES

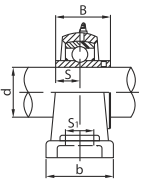
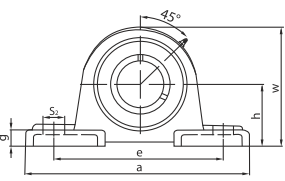


CODE	PRICE	d mm	D mm	Bi mm	Be mm	r mm	N mm	M mm	G mm	ds	T mm	Load Ratio	Static Load Rate	Weight kg
UC 204	2.80 \$	20	47	31	17	1	12.7	18.3	4.7	M6x0,75	4	12.84	6.65	0.18
UC 205	3.10 \$	25	52	34.1	17	1.5	14.3	19.8	5	M6x0,75	4.2	14.02	7.88	0.19
UC 206	4.15 \$	30	62	38.1	19	1.5	15.9	22.2	5	M6x0,75	5	19.46	11.31	0.31
UC 207	4.50 \$	35	72	42.9	20	2	17.5	25.4	6	M8x1	5.7	25.67	15.3	0.46
UC 208	7.15 \$	40	82	49.2	21	2	19	30.2	8	M8x1	6.3	29.52	18.14	0.63
UC 209	8.00 \$	45	85	49.2	22	2	19	30.2	8	M8x1	6.3	31.67	20.68	0.7
UC 210	9.50 \$	50	90	51.6	24	2	19	32.6	10	M10x1,25	6.6	35.07	23.18	0.78
UC 211	10.50 \$	55	100	55.6	25	2.5	22.2	33.4	10	M10x1,25	7	43.38	29.22	1.07
UC 212	11.50 \$	60	110	65.1	27	2.5	25.4	39.7	10	M10x1,25	7.6	47.76	32.93	1.52
UC 213	19.50 \$	65	120	65.1	28	2.5	25.4	39.7	10	M10x1,25	8.9	57.21	40	1.8

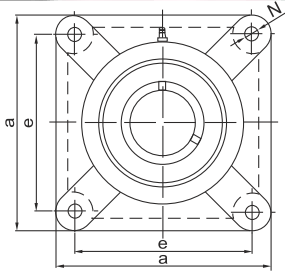


UC SERIES

CODE	PRICE	d mm	h mm	a mm	e mm	b mm	S ₁ mm	S ₂ mm	g mm	W mm	S mm	B mm	Weight kg
UCP 204	2.85 \$	20	33.3	127	94	37	13	19	14	64	12.7	31	0.7
UCP 205	4.90 \$	25	36.5	140	105	38	13	19	15	69.5	14.3	34.1	0.76
UCP 206	6.00 \$	30	42.9	159	121	43	17	21	17	83	15.9	38.1	1.25
UCP 207	6.50 \$	35	47.6	167	127	45	17	21	18	92	17.5	42.9	1.55
UCP 208	7.00 \$	40	49.2	181	136	50	17	21	18	98	19	49.2	1.9
UCP 209	7.65 \$	45	54	190	146	52	17	21	20	106	19	49.2	2.2
UCP 210	10.00 \$	50	57.2	203	159	59	20	25	20	112	19	51.6	2.75
UCP 211	11.50 \$	55	63.5	218	171	57	20	25	23	124	22.2	55.6	3.3
UCP 212	15.00 \$	60	69.8	239	184	69	20	25	26	137	25.4	65.1	4.7
UCP 213	22.00 \$	65	76.2	264	202	68	25	30	27	147	25.4	65.1	5.6

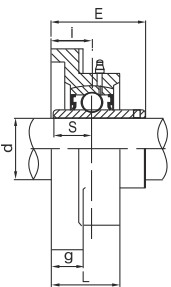


PILLOW BLOCK



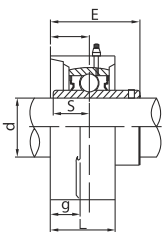
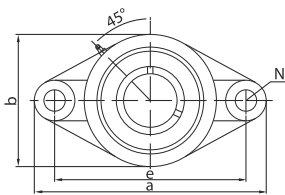
UCF SERIES

CODE	PRICE	d mm	a mm	e mm	i mm	g mm	L mm	N mm	E mm	S mm	Weight kg
UCF 204	3.30 \$	20	86	64	15	12	25.5	12	33.3	12.7	0.61
UCF 205	3.20 \$	25	95	70	16	14	27	12	35.8	14.3	0.8
UCF 206	6.00 \$	30	108	83	18	14.3	31	12	40.2	15.9	1
UCF 207	5.60 \$	35	117	92	19	15.5	34	14	44.4	17.5	1.4
UCF 208	10.00 \$	40	130	102	21	15.5	36	16	51.2	19	1.8
UCF 209	11.00 \$	45	137	105	22	17.5	38	16	52.2	19	2.2
UCF 210	12.00 \$	50	143	111	22	17.5	40	16	54.6	19	2.4
UCF 211	14.50 \$	55	162	130	25	19.5	43	19	58.4	22.2	3.5
UCF 212	21.00 \$	60	175	143	29	19.5	48	19	68.7	25.4	4.2
UCF 213	26.00 \$	65	187	149	30	23	50	19	69.7	25.4	5.3



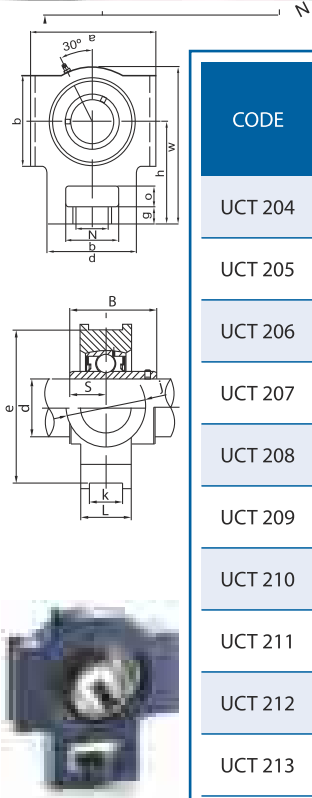
UCFL SERIES

CODE	PRICE	d mm	a mm	e mm	i mm	b mm	g mm	L mm	N mm	E mm	S mm	Weight kg
UCFL 204	3.10 \$	20	113	90	15	60	11	25.5	12	33.3	12.7	0.45
UCFL 205	4.60 \$	25	130	99	16	68	13	27	16	35.8	14.3	0.66
UCFL 206	5.00 \$	30	148	117	18	80	13	31	16	40.2	15.9	0.86
UCFL 207	7.00 \$	35	161	130	19	90	15	34	16	44.4	17.5	1.15
UCFL 208	9.00 \$	40	175	144	21	100	15	36	16	51.2	19	1.46
UCFL 209	11.00 \$	45	188	148	22	108	16	38	19	52.2	19	1.85
UCFL 210	12.50 \$	50	197	157	22	115	16	40	19	54.6	19	1.98
UCFL 211	14.00 \$	55	224	184	25	130	18	43	19	58.4	22.2	2.9
UCFL 212	21.00 \$	60	250	202	29	140	18	48	23	68.7	25.4	3.7
UCFL 213	26.00 \$	65	258	210	30	155	22	50	23	69.7	25.4	4.76



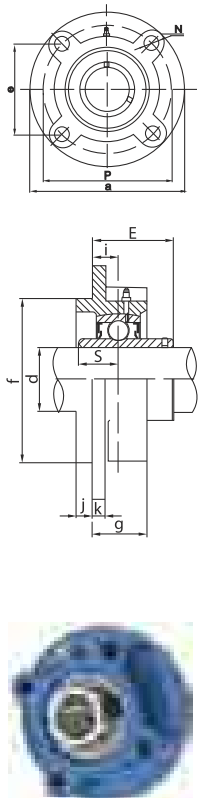
PILLOW BLOCK

PILLOW BLOCK



UC SERIES

CODE	PRICE	d mm	w mm	h mm	g mm	b mm	N mm	q mm	o mm	a mm	c mm	p mm	j mm	k mm	L mm	B mm	S mm	Weight kg
UCT 204	4.00 \$	20	94	61	10	51	19	32	16	89	76	51	32	12	21	31	12.7	0.72
UCT 205	4.50 \$	25	97	62	10	51	19	32	16	89	76	51	32	12	24	34.1	14.3	0.8
UCT 206	6.50 \$	30	113	70	10	57	22	37	16	102	89	56	37	12	28	38.1	15.9	1.26
UCT 207	9.00 \$	35	129	78	13	64	22	37	16	102	89	64	37	12	30	42.9	17.5	1.68
UCT 208	11.25 \$	40	144	88	16	83	29	49	19	114	102	83	49	16	33	49.2	19	2.28
UCT 209	12.50 \$	45	144	87	16	83	29	49	19	117	102	83	49	16	35	49.2	19	2.52
UCT 210	14.00 \$	50	149	90	16	86	29	49	19	117	102	83	49	16	37	51.6	19	2.75
UCT 211	19.00 \$	55	171	106	19	95	35	64	25	146	130	102	64	22	38	55.6	22.2	4.1
UCT 212	26.00 \$	60	194	119	19	102	35	64	32	146	130	102	64	22	42	65.1	25.4	4.9
UCT 213	33.00 \$	65	224	137	21	121	41	70	32	167	151	111	70	26	44	65.1	25.4	6.7



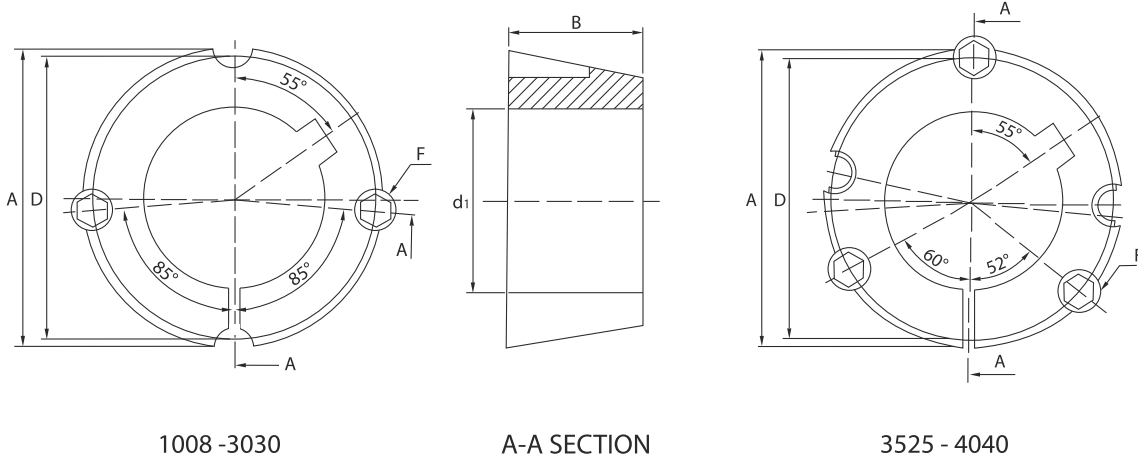
UC SERIES

CODE	PRICE	d mm	a mm	p mm	e mm	i mm	f mm	N mm	g mm	j mm	k mm	E mm	S mm	Weight kg
UCFC 204	5.00 \$	20	100	78	55.1	10	62	12	20.5	5	7	28.3	12.7	0.75
UCFC 205	6.00 \$	25	115	90	63.6	10	70	12	21	6	7	29.8	14.3	1
UCFC 206	8.00 \$	30	125	100	70.7	10	80	12	23	8	8	32.2	15.9	.1.3
UCFC 207	10.00 \$	35	135	110	77.8	11	90	14	26	8	9	36.4	17.5	1.75
UCFC 208	11.00 \$	40	145	120	84.8	11	100	14	26	10	9	41.2	19	2
UCFC 209	14.50 \$	45	160	132	93.3	10	105	16	26	12	14	40.2	19	2.5
UCFC 210	16.50 \$	50	165	138	97.6	10	110	16	28	12	14	42.6	19	2.95
UCFC 211	20.00 \$	55	185	150	106.1	13	125	19	31	12	15	46.4	22.2	4
UCFC 212	27.00 \$	60	195	160	113.1	17	135	19	36	12	15	56.7	25.4	4.9
UCFC 213	34.00 \$	65	205	170	120.2	16	145	19	36	14	15	55.7	25.4	5.35

TAPER BUSH



TAPER BUSH



BUSHES NO	TAPER BUSH	d ₁ (min)		d ₁ (max)		A	B	D	F	Weight
	PRICE	mm	inç	mm	inç	mm	mm	mm	mm	kg
1008	5.10 \$	9	3/8"	25	1"	35.2	22.2	33.7	6.350x12.700	0.21
1108	5.50 \$	9	3/8"	28	1 1/8"	38.4	22.2	36.9	6.350x12.700	0.25
1210	7.00 \$	11	1/2"	32	1 1/4"	47.6	25.4	44.5	9.525x15.875	0.55
1610	7.80 \$	14	1/2"	42	1 5/8"	57.2	25.4	54	9.525x15.875	0.70
1615	12.00 \$	14	1/2"	42	1 5/8"	57.2	38.1	54	9.525x15.875	0.90
2012	13.00 \$	14	1/2"	50	2"	69.9	31.8	66.7	11.113x22.225	1.4
2517	18.00 \$	16	1/2"	60	2 1/2"	85.7	44.5	82.6	12.700x25.400	3.20
3020	30.00 \$	25	1"	75	3"	108	50.8	101.6	15.875x31.750	5.60
3030	52.00 \$	35	1"	75	3"	108	76.2	101.6	15.875x31.750	8.1
3535	63.00 \$	35	1 1/4"	90	3 1/2"	127	89	123	12.700x38.10	5.0
4040	90.00 \$	40	1 3/4"	100	4"	146	102	141	15.875x44.45	8.20
4545	125.00 \$	55	2"	120	4 1/2"	161	114	156	19.050x50.800	11.80
5050	172.00 \$	70	2 5/8"	125	5"	178	127	171	22.255x57.150	13.40

BUSHES PHOSPHATE COATING

TAPER BUSH

METRIC BORE DIMENSIONS AND KEYWAY

BORE DIAMETER mm	Keyway Depth		Keyway Depth	Available Bore Diameters												
	widht mm	depth mm		1008	1108	1210	1610	1615	2012	2517	3020	3030	3535	4040	4545	5050
9	3	1.4	-	9	9											
10	3	1.4	-	10	10											
11	4	1.8	-	11	11	11										
12	4	1.8	-	12	12	12										
14	5	2.3	-	14	14	14	14	14	14							
15	5	2.3	-	15	15	15	15	15	15							
16	5	2.3	-	16	16	16	16	16	16	16						
18	6	2.8	-	18	18	18	18	18	18	18						
19	6	2.8	-	19	19	19	19	19	19	19						
20	6	2.8	-	20	20	20	20	20	20	20						
22	6	2.8	-	22	22	22	22	22	22	22						
24	8	3.3	1.3	24	24	24	24	24	24	24						
25	8	3.3	1.3	25	25	25	25	25	25	25	25					
28	8	3.3	1.3		28	28	28	28	28	28	28					
30	8	3.3	-			30	30	30	30	30	30					
32	10	3.3	-			32	32	32	32	32	32					
35	10	3.3	-				35	35	35	35	35	35	35			
38	10	3.3	-				38	38	38	38	38	38	38			
40	12	3.3	1.3				40	40	40	40	40	40	40	40		
42	12	3.3	1.3						42	42	42	42	42	42		
45	14	3.8	-						45	45	45	45	45	45		
48	14	3.8	-						48	48	48	48	48	48		
50	14	3.8	-							50	50	50	50	50		
55	16	4.3	-							55	55	55	55	55	55	
60	18	4.4	-							60	60	60	60	60	60	
65	18	4.4	-								65	65	65	65	65	
70	20	4.9	-								70	70	70	70	70	70
75	20	4.9	-								75	75	75	75	75	75
80	22	5.4	-										80	80	80	80
85	22	5.4	-										85	85	85	85
90	25	5.4	-											90	90	90
95	25	5.4	-												95	95
100	28	6.4	4.4												100	100
105	28	6.4	-													105
110	28	6.4	-													110
115	32	7.4	5.4													115
120	32	7.4	-													120
125	32	7.4	-													125
130	32	7.4	-													130
140	32	8.4	6.4													

PULLEY SPZ PRICE LIST



TYPE	BORE	GROOVES NUMBER	PULLEY SPZ PRICE	BUSH NO	BUSH PRICE
SPZ	56	1	8.75 \$	1008	5.10 \$
SPZ	60	1	10.60 \$	1108	5.50 \$
SPZ	63	1	10.00 \$	1108	5.50 \$
SPZ	67	1	11.50 \$	1108	5.50 \$
SPZ	71	1	12.00 \$	1108	5.50 \$
SPZ	75	1	12.50 \$	1108	5.50 \$
SPZ	80	1	13.00 \$	1210	7.00 \$
SPZ	85	1	13.25 \$	1210	7.00 \$
SPZ	90	1	13.50 \$	1210	7.00 \$
SPZ	95	1	14.00 \$	1210	7.00 \$
SPZ	100	1	14.50 \$	1210	7.00 \$
SPZ	106	1	16.00 \$	1610	7.80 \$
SPZ	112	1	17.00 \$	1610	7.80 \$
SPZ	118	1	18.00 \$	1610	7.80 \$
SPZ	125	1	21.00 \$	1610	7.80 \$
SPZ	132	1	22.00 \$	1610	7.80 \$
SPZ	140	1	23.00 \$	1610	7.80 \$
SPZ	150	1	23.50 \$	1610	7.80 \$
SPZ	160	1	24.00 \$	1610	7.80 \$
SPZ	170	1	25.00 \$	1610	7.80 \$
SPZ	180	1	25.50 \$	1610	7.80 \$
SPZ	190	1	33.00 \$	1610	7.80 \$
SPZ	200	1	34.00 \$	2012	13.00 \$
SPZ	224	1	35.00 \$	2012	13.00 \$
SPZ	250	1	36.00 \$	2012	13.00 \$
SPZ	280	1	49.00 \$	2012	13.00 \$
SPZ	315	1	8.75 \$	2012	13.00 \$
SPZ	355	1	8.75 \$	2012	13.00 \$
SPZ	56	2	8.75 \$	1008	5.10 \$
SPZ	60	2	8.75 \$	1008	5.10 \$
SPZ	63	2	8.75 \$	1108	5.50 \$
SPZ	67	2	8.75 \$	1108	5.50 \$
SPZ	71	2	8.75 \$	1108	5.50 \$
SPZ	75	2	8.75 \$	1210	7.00 \$
SPZ	80	2	8.75 \$	1210	7.00 \$
SPZ	85	2	8.75 \$	1610	7.80 \$
SPZ	90	2	8.75 \$	1610	7.80 \$
SPZ	95	2	8.75 \$	1610	7.80 \$
SPZ	100	2	8.75 \$	1610	7.80 \$
SPZ	106	2	8.75 \$	1610	7.80 \$
SPZ	112	2	8.75 \$	1610	7.80 \$

TYPE	BORE	GROOVES NUMBER	PULLEY SPZ PRICE	BUSH NO	BUSH PRICE
SPZ	118	2	25.00 \$	1610	7.80 \$
SPZ	125	2	30.00 \$	1610	7.80 \$
SPZ	132	2	32.00 \$	1610	7.80 \$
SPZ	140	2	32.50 \$	1610	7.80 \$
SPZ	150	2	33.00 \$	2012	13.00 \$
SPZ	160	2	33.50 \$	2012	13.00 \$
SPZ	170	2	36.00 \$	2012	13.00 \$
SPZ	180	2	37.00 \$	2012	13.00 \$
SPZ	190	2	38.00 \$	2012	13.00 \$
SPZ	200	2	39.00 \$	2012	13.00 \$
SPZ	224	2	46.00 \$	2012	13.00 \$
SPZ	250	2	53.00 \$	2012	13.00 \$
SPZ	280	2	54.00 \$	2012	13.00 \$
SPZ	315	2	65.00 \$	2012	13.00 \$
SPZ	355	2	69.00 \$	2012	13.00 \$
SPZ	63	3	19.00 \$	1108	5.50 \$
SPZ	67	3	23.00 \$	1108	5.50 \$
SPZ	71	3	24.00 \$	1108	5.50 \$
SPZ	75	3	25.00 \$	1210	7.00 \$
SPZ	80	3	26.00 \$	1210	7.00 \$
SPZ	85	3	27.00 \$	1610	7.80 \$
SPZ	90	3	28.00 \$	1610	7.80 \$
SPZ	95	3	29.00 \$	1610	7.80 \$
SPZ	100	3	30.00 \$	1610	7.80 \$
SPZ	106	3	31.00 \$	1610	7.80 \$
SPZ	112	3	32.00 \$	2012	13.00 \$
SPZ	118	3	36.00 \$	2012	13.00 \$
SPZ	125	3	37.00 \$	2012	13.00 \$
SPZ	132	3	41.00 \$	2012	13.00 \$
SPZ	140	3	42.00 \$	2012	13.00 \$
SPZ	150	3	43.00 \$	2012	13.00 \$
SPZ	160	3	45.00 \$	2012	13.00 \$
SPZ	170	3	48.00 \$	2012	13.00 \$
SPZ	180	3	53.00 \$	2012	13.00 \$
SPZ	190	3	60.00 \$	2012	13.00 \$
SPZ	200	3	62.00 \$	2012	13.00 \$
SPZ	224	3	63.00 \$	2012	13.00 \$
SPZ	250	3	70.00 \$	2012	13.00 \$
SPZ	280	3	78.00 \$	2517	18.00 \$
SPZ	315	3	116.00 \$	2517	18.00 \$
SPZ	355	3	155.00 \$	2517	18.00 \$

YOUR SPECIAL PULLEY SPZ ARE PRODUCED IN THE FASTEST WAY.

PULLEY SPA PRICE LIST



TYPE	BORE	GROOVES NUMBER	PULLEY SPZ PRICE	BUSH NO	BUSH PRICE
SPA	63	1	4.90 \$	1008	5.10 \$
SPA	67	1	5.70 \$	1108	5.50 \$
SPA	71	1	6.10 \$	1108	5.50 \$
SPA	75	1	6.70 \$	1108	5.50 \$
SPA	80	1	7.10 \$	1210	7.00 \$
SPA	85	1	7.25 \$	1210	7.00 \$
SPA	90	1	7.50 \$	1210	7.00 \$
SPA	95	1	9.00 \$	1210	7.00 \$
SPA	100	1	9.50 \$	1610	7.80 \$
SPA	106	1	11.00 \$	1610	7.80 \$
SPA	112	1	11.50 \$	1610	7.80 \$
SPA	118	1	12.50 \$	1610	7.80 \$
SPA	125	1	14.50 \$	1610	7.80 \$
SPA	132	1	15.00 \$	1610	7.80 \$
SPA	140	1	15.50 \$	1610	7.80 \$
SPA	150	1	16.00 \$	1610	7.80 \$
SPA	160	1	16.50 \$	1610	7.80 \$
SPA	170	1	18.00 \$	1610	7.80 \$
SPA	180	1	18.50 \$	1610	7.80 \$
SPA	190	1	24.00 \$	1610	7.80 \$
SPA	200	1	24.50 \$	2012	13.00 \$
SPA	212	1	25.00 \$	2012	13.00 \$
SPA	224	1	25.50 \$	2012	13.00 \$
SPA	236	1	27.00 \$	2012	13.00 \$
SPA	250	1	27.50 \$	2012	13.00 \$
SPA	280	1	36.00 \$	2012	13.00 \$
SPA	315	1	46.00 \$	2012	13.00 \$
SPA	355	1	47.00 \$	2012	13.00 \$
SPA	400	1	48.00 \$	2012	13.00 \$
SPA	450	1	51.00 \$	2012	13.00 \$
SPA	500	1	65.00 \$	2517	18.00 \$
SPA	63	2	7.00 \$	1008	5.10 \$
SPA	67	2	8.00 \$	1108	5.50 \$
SPA	71	2	8.75 \$	1108	5.50 \$
SPA	75	2	9.00 \$	1108	5.50 \$
SPA	80	2	9.50 \$	1210	7.00 \$
SPA	85	2	10.00 \$	1210	7.00 \$
SPA	90	2	10.50 \$	1610	7.80 \$
SPA	95	2	11.00 \$	1610	7.80 \$

TYPE	BORE	GROOVES NUMBER	PULLEY SPZ PRICE	BUSH NO	BUSH PRICE
SPA	100	2	12.00 \$	1610	7.80 \$
SPA	106	2	13.00 \$	1610	7.80 \$
SPA	112	2	15.50 \$	1610	7.80 \$
SPA	118	2	17.50 \$	1610	7.80 \$
SPA	125	2	21.00 \$	1610	7.80 \$
SPA	132	2	21.50 \$	2012	13.00 \$
SPA	140	2	22.00 \$	2012	13.00 \$
SPA	150	2	22.50 \$	2012	13.00 \$
SPA	160	2	23.50 \$	2012	13.00 \$
SPA	170	2	26.00 \$	2012	13.00 \$
SPA	180	2	27.00 \$	2012	13.00 \$
SPA	190	2	28.00 \$	2012	13.00 \$
SPA	200	2	28.50 \$	2517	18.00 \$
SPA	212	2	29.00 \$	2517	18.00 \$
SPA	224	2	33.00 \$	2517	18.00 \$
SPA	236	2	34.50 \$	2517	18.00 \$
SPA	250	2	38.00 \$	2517	18.00 \$
SPA	280	2	44.00 \$	2517	18.00 \$
SPA	315	2	47.00 \$	2517	18.00 \$
SPA	355	2	49.00 \$	2517	18.00 \$
SPA	400	2	73.00 \$	2517	18.00 \$
SPA	450	2	82.00 \$	2517	18.00 \$
SPA	500	2	91.00 \$	2517	18.00 \$
SPA	71	3	12.00 \$	1108	5.50 \$
SPA	75	3	13.00 \$	1108	5.50 \$
SPA	80	3	14.00 \$	1210	5.50 \$
SPA	85	3	15.00 \$	1210	7.00 \$
SPA	90	3	16.00 \$	1610	7.00 \$
SPA	95	3	16.50 \$	1610	7.80 \$
SPA	100	3	17.00 \$	1610	7.80 \$
SPA	106	3	19.00 \$	1610	7.80 \$
SPA	112	3	19.50 \$	2012	13.00 \$
SPA	118	3	25.00 \$	2012	13.00 \$
SPA	125	3	26.00 \$	2012	13.00 \$
SPA	132	3	27.00 \$	2012	13.00 \$
SPA	140	3	28.00 \$	2517	18.00 \$
SPA	150	3	29.00 \$	2517	18.00 \$
SPA	160	3	32.00 \$	2517	18.00 \$
SPA	170	3	35.00 \$	2517	18.00 \$

YOUR SPECIAL PULLEY SPZ ARE PRODUCED IN THE FASTEST WAY.

PULLEY SPA-SPB PRICE LIST

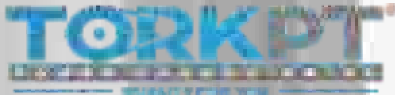


TYPE	BORE	GROOVES NUMBER	PULLEY SPZ PRICE	BUSH NO	BUSH PRICE
SPA	180	3	38.00 \$	2517	18.00 \$
SPA	190	3	44.00 \$	2517	18.00 \$
SPA	200	3	45.00 \$	2517	18.00 \$
SPA	212	3	46.00 \$	2517	18.00 \$
SPA	224	3	47.00 \$	2517	18.00 \$
SPA	236	3	48.00 \$	2517	18.00 \$
SPA	250	3	50.00 \$	2517	18.00 \$
SPA	280	3	56.00 \$	2517	18.00 \$
SPA	315	3	83.00 \$	3020	30.00 \$
SPA	355	3	87.00 \$	3020	30.00 \$
SPA	400	3	115.00 \$	3020	30.00 \$
SPA	450	3	121.00 \$	3020	30.00 \$
SPA	500	3	137.00 \$	3020	30.00 \$
SPA	100	4	22.00 \$	1610	7.80 \$
SPA	106	4	27.50 \$	2012	13.00 \$
SPA	112	4	28.00 \$	2012	13.00 \$
SPA	118	4	29.00 \$	2012	13.00 \$
SPA	125	4	34.00 \$	2012	13.00 \$
SPA	132	4	35.00 \$	2517	18.00 \$
SPA	140	4	36.00 \$	2517	18.00 \$
SPA	150	4	37.00 \$	2517	18.00 \$
SPA	160	4	40.00 \$	2517	18.00 \$
SPA	170	4	41.50 \$	2517	18.00 \$
SPA	180	4	46.00 \$	2517	18.00 \$
SPA	190	4	48.00 \$	2517	18.00 \$
SPA	200	4	58.00 \$	3020	30.00 \$
SPA	212	4	61.00 \$	3020	30.00 \$
SPA	224	4	68.00 \$	3020	30.00 \$
SPA	236	4	77.00 \$	3020	30.00 \$
SPA	250	4	78.00 \$	3020	30.00 \$
SPA	280	4	92.00 \$	3020	30.00 \$
SPA	315	4	93.00 \$	3020	30.00 \$
SPA	355	4	94.00 \$	3020	30.00 \$
SPA	400	4	128.00 \$	3020	30.00 \$
SPA	450	4	145.00 \$	3020	30.00 \$

YOUR SPECIAL PULLEY SPZ ARE PROCEDED IN THE FASTEST WAY.

TYPE	BORE	GROOVES NUMBER	PULLEY SPZ PRICE	BUSH NO	BUSH PRICE
SPB	100	1	8.25 \$	1610	7.80 \$
SPB	106	1	8.60 \$	1610	7.80 \$
SPB	112	1	10.00 \$	1610	7.80 \$
SPB	118	1	11.00 \$	1610	7.80 \$
SPB	125	1	12.00 \$	1610	7.80 \$
SPB	132	1	14.00 \$	1610	7.80 \$
SPB	140	1	15.00 \$	1610	7.80 \$
SPB	150	1	17.00 \$	1610	7.80 \$
SPB	160	1	19.00 \$	1610	7.80 \$
SPB	170	1	19.50 \$	1610	7.80 \$
SPB	180	1	23.50 \$	1610	7.80 \$
SPB	190	1	26.00 \$	2012	13.00 \$
SPB	200	1	27.00 \$	2012	13.00 \$
SPB	212	1	28.00 \$	2012	13.00 \$
SPB	224	1	29.00 \$	2012	13.00 \$
SPB	236	1	30.00 \$	2012	13.00 \$
SPB	250	1	31.00 \$	2012	13.00 \$
SPB	280	1	39.00 \$	2012	13.00 \$
SPB	300	1	40.00 \$	2012	13.00 \$
SPB	315	1	41.00 \$	2012	13.00 \$
SPB	100	2	10.50 \$	1610	7.80 \$
SPB	106	2	12.00 \$	1610	7.80 \$
SPB	112	2	13.50 \$	1610	7.80 \$
SPB	118	2	17.00 \$	1610	7.80 \$
SPB	125	2	17.50 \$	2012	13.00 \$
SPB	132	2	19.50 \$	2012	13.00 \$
SPB	140	2	20.50 \$	2012	13.00 \$
SPB	150	2	26.50 \$	2012	13.00 \$
SPB	160	2	27.50 \$	2012	13.00 \$
SPB	170	2	29.00 \$	2012	13.00 \$
SPB	180	2	36.00 \$	2517	18.00 \$
SPB	190	2	37.00 \$	2517	18.00 \$
SPB	200	2	48.00 \$	2517	18.00 \$
SPB	212	2	49.00 \$	2517	18.00 \$
SPB	224	2	50.00 \$	2517	18.00 \$
SPB	236	2	51.00 \$	2517	18.00 \$
SPB	250	2	52.00 \$	2517	18.00 \$
SPB	280	2	56.00 \$	2517	18.00 \$

PULLEY SPA-SPB PRICE LIST



TYPE	BORE	GROOVES NUMBER	PULLEY SPZ PRICE	BUSH NO	BUSH PRICE
SPB	300	2	59.00 \$	2517	18.00 \$
SPB	315	2	60.00 \$	2517	18.00 \$
SPB	335	2	61.00 \$	2517	18.00 \$
SPB	355	2	78.00 \$	3020	30.00 \$
SPB	400	2	82.00 \$	3020	30.00 \$
SPB	450	2	117.00 \$	3020	30.00 \$
SPB	500	2	133.00 \$	3020	30.00 \$
SPB	560	2	142.00 \$	3030	52.00 \$
SPB	630	2	156.00 \$	3030	52.00 \$
SPB	100	3	15.00 \$	1610	7.80 \$
SPB	106	3	18.00 \$	1610	7.80 \$
SPB	112	3	19.50 \$	1610	7.80 \$
SPB	118	3	20.00 \$	2012	13.00 \$
SPB	125	3	24.00 \$	2012	13.00 \$
SPB	132	3	25.00 \$	2012	13.00 \$
SPB	140	3	28.00 \$	2517	18.00 \$
SPB	150	3	34.00 \$	2517	18.00 \$
SPB	160	3	38.00 \$	2517	18.00 \$
SPB	170	3	42.00 \$	2517	18.00 \$
SPB	180	3	45.00 \$	2517	18.00 \$
SPB	190	3	51.00 \$	2517	18.00 \$
SPB	200	3	57.00 \$	2517	18.00 \$
SPB	212	3	58.00 \$	2517	18.00 \$
SPB	224	3	59.00 \$	2517	18.00 \$
SPB	236	3	60.00 \$	2517	18.00 \$
SPB	250	3	76.00 \$	3020	30.00 \$
SPB	280	3	77.00 \$	3020	30.00 \$
SPB	300	3	78.00 \$	3020	30.00 \$
SPB	315	3	79.00 \$	3020	30.00 \$
SPB	335	3	100.00 \$	3020	30.00 \$
SPB	355	3	104.00 \$	3020	30.00 \$
SPB	400	3	130.00 \$	3535	63.00 \$
SPB	450	3	170.00 \$	3535	63.00 \$
SPB	500	3	200.00 \$	3535	63.00 \$
SPB	560	3	220.00 \$	3535	63.00 \$
SPB	630	3	260.00 \$	3535	63.00 \$
SPB	710	3	265.00 \$	3535	63.00 \$
SPB	800	3	300.00 \$	3535	63.00 \$
SPB	100	4	22.00 \$	1610	7.80 \$

TYPE	BORE	GROOVES NUMBER	PULLEY SPZ PRICE	BUSH NO	BUSH PRICE
SPB	106	4	23.00 \$	1610	7.80 \$
SPB	112	4	25.00 \$	1610	7.80 \$
SPB	118	4	29.00 \$	1610	7.80 \$
SPB	125	4	30.00 \$	2012	13.00 \$
SPB	132	4	31.00 \$	2012	13.00 \$
SPB	140	4	36.00 \$	2517	13.00 \$
SPB	150	4	40.00 \$	2517	18.00 \$
SPB	160	4	44.00 \$	2517	18.00 \$
SPB	170	4	49.00 \$	2517	18.00 \$
SPB	180	4	53.00 \$	2517	18.00 \$
SPB	190	4	61.00 \$	2517	18.00 \$
SPB	200	4	65.00 \$	3020	18.00 \$
SPB	212	4	71.00 \$	3020	30.00 \$
SPB	224	4	75.00 \$	3020	30.00 \$
SPB	236	4	77.00 \$	3020	30.00 \$
SPB	250	4	85.00 \$	3020	30.00 \$
SPB	280	4	89.00 \$	3020	30.00 \$
SPB	300	4	94.00 \$	3020	30.00 \$
SPB	315	4	142.00 \$	3535	63.00 \$
SPB	335	4	147.00 \$	3535	63.00 \$
SPB	355	4	153.00 \$	3535	63.00 \$
SPB	400	4	171.00 \$	3535	63.00 \$
SPB	450	4	172.00 \$	3535	63.00 \$
SPB	500	4	227.00 \$	3535	63.00 \$
SPB	560	4	242.00 \$	3535	63.00 \$
SPB	630	4	324.00 \$	3535	63.00 \$
SPB	710	4	330.00 \$	3535	63.00 \$
SPB	800	4	394.00 \$	4040	90.00 \$
SPB	125	5	34.00 \$	2012	13.00 \$
SPB	132	5	39.00 \$	2517	18.00 \$
SPB	140	5	42.00 \$	2517	18.00 \$
SPB	150	5	49.00 \$	2517	18.00 \$
SPB	160	5	58.00 \$	2517	18.00 \$
SPB	170	5	59.00 \$	3020	30.00 \$
SPB	180	5	64.00 \$	3020	30.00 \$
SPB	190	5	67.00 \$	3020	30.00 \$
SPB	200	5	75.00 \$	3020	30.00 \$
SPB	212	5	85.00 \$	3020	30.00 \$
SPB	224	5	96.00 \$	3020	30.00 \$

YOUR SPECIAL PULLEY SPZ ARE PRODUCED IN THE FASTEST WAY.

PULLEY SPA-SPB PRICE LIST

BUSH - PULLEY

TYPE	BORE	GROOVES NUMBER	PULLEY SPZ PRICE	BUSH NO	BUSH PRICE
SPB	236	5	125.00 \$	3535	50,70 \$
SPB	250	5	149.00 \$	3535	50,70 \$
SPB	280	5	150.00 \$	3535	50,70 \$
SPB	300	5	161.00 \$	3535	50,70 \$
SPB	315	5	162.00 \$	3535	50,70 \$
SPB	335	5	163.00 \$	3535	50,70 \$
SPB	355	5	164.00 \$	3535	50,70 \$
SPB	400	5	205.00 \$	3535	50,70 \$
SPB	450	5	290.00 \$	3535	50,70 \$
SPB	500	5	291.00 \$	3535	50,70 \$
SPB	560	5	336.00 \$	4040	92,85 \$
SPB	630	5	430.00 \$	4040	92,85 \$
SPB	710	5	440.00 \$	4040	92,85 \$
SPB	800	5	510.00 \$	4040	92,85 \$
SPB	125	6	51.00 \$	2012	9,00 \$
SPB	132	6	52.00 \$	2517	13,50 \$
SPB	140	6	53.00 \$	2517	13,50 \$
SPB	150	6	55.00 \$	2517	13,50 \$
SPB	160	6	65.00 \$	3020	23,40 \$
SPB	170	6	74.00 \$	3020	23,40 \$
SPB	180	6	82.00 \$	3020	23,40 \$
SPB	190	6	84.00 \$	3020	23,40 \$
SPB	200	6	86.00 \$	3020	23,40 \$
SPB	212	6	98.00 \$	3535	50,70 \$
SPB	224	6	123.00 \$	3535	50,70 \$
SPB	236	6	156.00 \$	3535	50,70 \$
SPB	250	6	160.00 \$	3535	50,70 \$
SPB	280	6	165.00 \$	3535	50,70 \$
SPB	300	6	225.00 \$	3535	50,70 \$
SPB	315	6	230.00 \$	3535	50,70 \$
SPB	335	6	240.00 \$	3535	50,70 \$
SPB	355	6	245.00 \$	3535	50,70 \$
SPB	400	6	255.00 \$	3535	50,70 \$
SPB	450	6	355.00 \$	4040	92,85 \$
SPB	500	6	360.00 \$	4040	92,85 \$
SPB	560	6	375.00 \$	4040	92,85 \$
SPB	630	6	450.00 \$	4040	92,85 \$
SPB	710	6	460.00 \$	4040	92,85 \$
SPB	800	6	530.00 \$	4545	101,55 \$

TYPE	BORE	GROOVES NUMBER	PULLEY SPZ PRICE	BUSH NO	BUSH PRICE
SPC	200	3	72.00 \$	2517	13,50 \$
SPC	212	3	80.00 \$	3020	23,40 \$
SPC	224	3	92.00 \$	3020	23,40 \$
SPC	236	3	98.00 \$	3020	23,40 \$
SPC	250	3	100.00 \$	3020	23,40 \$
SPC	265	3	155.00 \$	3535	50,70 \$
SPC	280	3	185.00 \$	3535	50,70 \$
SPC	300	3	190.00 \$	3535	50,70 \$
SPC	315	3	195.00 \$	3535	50,70 \$
SPC	335	3	196.00 \$	3535	50,70 \$
SPC	355	3	200.00 \$	3535	50,70 \$
SPC	375	3	210.00 \$	3535	50,70 \$
SPC	400	3	220.00 \$	3535	50,70 \$
SPC	425	3	225.00 \$	3535	50,70 \$
SPC	450	3	230.00 \$	3535	50,70 \$
SPC	475	3	235.00 \$	3535	50,70 \$
SPC	500	3	245.00 \$	3535	50,70 \$
SPC	530	3	250.00 \$	3535	50,70 \$
SPC	560	3	255.00 \$	3535	50,70 \$
SPC	630	3	435.00 \$	4040	92,85 \$
SPC	710	3	440.00 \$	4040	92,85 \$
SPC	800	3	470.00 \$	4545	101,55 \$
SPC	1000	3	640.00 \$	5050	145,50 \$
SPC	200	4	82.00 \$	3020	23,40 \$
SPC	212	4	103.00 \$	3020	23,40 \$
SPC	224	4	120.00 \$	3535	50,70 \$
SPC	236	4	140.00 \$	3535	50,70 \$
SPC	250	4	150.00 \$	3535	50,70 \$
SPC	265	4	180.00 \$	3535	50,70 \$
SPC	280	4	181.00 \$	3535	50,70 \$
SPC	300	4	185.00 \$	3535	50,70 \$
SPC	315	4	186.00 \$	3535	50,70 \$
SPC	335	4	200.00 \$	3535	50,70 \$
SPC	355	4	222.00 \$	3535	50,70 \$
SPC	375	4	225.00 \$	3535	50,70 \$
SPC	400	4	226.00 \$	3535	50,70 \$
SPC	425	4	251.00 \$	3535	50,70 \$
SPC	450	4	290.00 \$	3535	50,70 \$
SPC	475	4	291.00 \$	3535	50,70 \$
SPC	500	4	320.00 \$	3535	50,70 \$
SPC	530	4	333.00 \$	4040	92,85 \$
SPC	560	4	350.00 \$	4040	92,85 \$
SPC	630	4	425.00 \$	4545	101,55 \$
SPC	710	4	625.00 \$	5050	145,50 \$

YOUR SPECIAL PULLEY SPZ ARE PRODUCED IN THE FASTEST WAY.

PULLEY SPB-SPC PRICE LIST



TYPE	BORE	GROOVES NUMBER	PULLEY SPZ PRICE	BUSH NO	BUSH PRICE
SPC	800	4	680.00 \$	5050	145,50 \$
SPC	1000	4	800.00 \$	5050	145,50 \$
SPC	200	5	114.00 \$	3535	50,70 \$
SPC	212	5	121.00 \$	3535	50,70 \$
SPC	224	5	145.00 \$	3535	50,70 \$
SPC	236	5	160.00 \$	3535	50,70 \$
SPC	250	5	180.00 \$	3535	50,70 \$
SPC	265	5	205.00 \$	3535	50,70 \$
SPC	280	5	225.00 \$	3535	50,70 \$
SPC	300	5	230.00 \$	3535	50,70 \$
SPC	315	5	235.00 \$	3535	50,70 \$
SPC	335	5	236.00 \$	3535	50,70 \$
SPC	355	5	240.00 \$	3535	50,70 \$
SPC	375	5	340.00 \$	3535	50,70 \$
SPC	400	5	345.00 \$	3535	50,70 \$
SPC	425	5	350.00 \$	3535	50,70 \$
SPC	450	5	360.00 \$	4040	92,85 \$
SPC	475	5	365.00 \$	4040	92,85 \$
SPC	500	5	425.00 \$	4040	92,85 \$
SPC	530	5	430.00 \$	3535	50,70 \$
SPC	560	5	431.00 \$	4545	101,55 \$
SPC	630	5	560.00 \$	5050	145,50 \$
SPC	710	5	630.00 \$	5050	145,50 \$
SPC	800	5	885.00 \$	5050	145,50 \$
SPC	1000	5	1.200.00 \$	5050	145,50 \$
SPC	200	6	142.00 \$	3535	50,70 \$
SPC	212	6	162.00 \$	3535	50,70 \$
SPC	224	6	163.00 \$	3535	50,70 \$
SPC	236	6	182.00 \$	3535	50,70 \$
SPC	250	6	185.00 \$	3535	50,70 \$
SPC	265	6	240.00 \$	3535	50,70 \$
SPC	280	6	241.00 \$	3535	50,70 \$
SPC	300	6	260.00 \$	3535	50,70 \$
SPC	315	6	285.00 \$	3535	50,70 \$
SPC	335	6	290.00 \$	3535	50,70 \$
SPC	355	6	291.00 \$	3535	50,70 \$
SPC	375	6	310.00 \$	4040	92,85 \$
SPC	400	6	350.00 \$	4040	92,85 \$
SPC	425	6	465.00 \$	4040	92,85 \$
SPC	450	6	470.00 \$	4545	101,55 \$
SPC	475	6	480.00 \$	4545	101,55 \$
SPC	500	6	485.00 \$	4545	101,55 \$
SPC	530	6	490.00 \$	5050	145,50 \$
SPC	560	6	580.00 \$	5050	145,50 \$
SPC	630	6	645.00 \$	5050	145,50 \$

TYPE	BORE	GROOVES NUMBER	PULLEY SPZ PRICE	BUSH NO	BUSH PRICE
SPC	710	6	775.00 \$	5050	145,50 \$
SPC	800	6	900.00 \$	5050	145,50 \$
SPC	1000	6	990.00 \$	5050	145,50 \$
SPC	200	8	180.00 \$	3535	50,70 \$
SPC	212	8	195.00 \$	3535	50,70 \$
SPC	224	8	200.00 \$	3535	50,70 \$
SPC	236	8	220.00 \$	3535	50,70 \$
SPC	250	8	240.00 \$	3535	50,70 \$
SPC	265	8	280.00 \$	3535	50,70 \$
SPC	280	8	300.00 \$	3535	50,70 \$
SPC	300	8	360.00 \$	4040	92,85 \$
SPC	315	8	365.00 \$	4040	92,85 \$
SPC	335	8	370.00 \$	4040	92,85 \$
SPC	355	8	385.00 \$	4040	92,85 \$
SPC	375	8	432.00 \$	4545	101,55 \$
SPC	400	8	496.00 \$	4545	101,55 \$
SPC	425	8	550.00 \$	4545	101,55 \$
SPC	450	8	555.00 \$	5050	145,50 \$
SPC	475	8	585.00 \$	5050	145,50 \$
SPC	500	8	636.00 \$	5050	145,50 \$
SPC	530	8	665.00 \$	5050	145,50 \$
SPC	560	8	720.00 \$	5050	145,50 \$
SPC	630	8	900.00 \$	5050	145,50 \$
SPC	710	8	935.00 \$	5050	145,50 \$
SPC	800	8	990.00 \$	5050	145,50 \$
SPC	1000	8	1.365.00 \$	5050	145,50 \$
SPC	250	10	305.00 \$	4040	92,85 \$
SPC	265	10	337.00 \$	4040	92,85 \$
SPC	280	10	383.00 \$	4040	92,85 \$
SPC	300	10	400.00 \$	4545	101,55 \$
SPC	315	10	440.00 \$	4545	101,55 \$
SPC	335	10	470.00 \$	4040	92,85 \$
SPC	355	10	510.00 \$	4545	101,55 \$
SPC	375	10	610.00 \$	4545	101,55 \$
SPC	400	10	620.00 \$	5050	145,50 \$
SPC	425	10	625.00 \$	5050	145,50 \$
SPC	450	10	700.00 \$	5050	145,50 \$
SPC	475	10	710.00 \$	5050	145,50 \$
SPC	500	10	750.00 \$	5050	145,50 \$
SPC	530	10	825.00 \$	5050	145,50 \$
SPC	560	10	830.00 \$	5050	145,50 \$
SPC	630	10	1.170.00 \$	5050	145,50 \$
SPC	710	10	1.180.00 \$	5050	145,50 \$
SPC	800	10	1.200.00 \$	5050	145,50 \$
SPC	1000	10	1.600.00 \$	5050	145,50 \$

YOUR SPECIAL PULLEY SPZ ARE PRODUCED IN THE FASTEST WAY.

V PULLEY PRICE LIST



13 MM AND 17 MM V PULLEY

OUTHER DIAMETER	SIMPLEX	DUBLEX	TRIPLEX	4 GROVE PULLEY	5 GROVE PULLEY	6 GROVE PULLEY
60	4.30 \$	4.70 \$				
75	4.50 \$	7.50 \$	11.00 \$	13.00 \$		
80	5.50 \$	7.75 \$	12.00 \$	14.00 \$		
90	6.85 \$	10.00 \$	15.00 \$	17.00 \$		
100	8.65 \$	11.00 \$	15.50 \$	17.50 \$		
110	9.00 \$	12.00 \$	17.00 \$	24.00 \$		
125	10.00 \$	13.85 \$	20.00 \$	30.00 \$		
140	11.70 \$	17.00 \$	24.00 \$	37.00 \$		
150	12.75 \$	17.50 \$	26.00 \$	38.00 \$		
160	13.00 \$	21.00 \$	37.00 \$	45.00 \$		
175	13.15 \$	22.00 \$	38.00 \$	46.00 \$		
200	18.50 \$	26.00 \$	39.00 \$	46.50 \$	60.00 \$	91.00 \$
225	19.00 \$	27.00 \$	40.00 \$	60.00 \$	86.00 \$	113.00 \$
250	20.50 \$	33.00 \$	50.00 \$	62.00 \$	92.00 \$	114.00 \$
275	22.00 \$	38.00 \$	54.00 \$	78.00 \$	98.00 \$	125.00 \$
300	25.50 \$	39.00 \$	55.00 \$	80.00 \$	108.00 \$	130.00 \$
325	27.50 \$	42.00 \$	60.00 \$	83.00 \$	117.00 \$	135.00 \$
350	28.00 \$	52.00 \$	66.00 \$	87.00 \$	132.00 \$	158.00 \$
375	29.00 \$	55.00 \$	74.00 \$	88.00 \$	136.00 \$	170.00 \$
400	34.00 \$	56.00 \$	80.00 \$	117.00 \$	145.00 \$	181.00 \$
450	46.00 \$	78.00 \$	93.00 \$	122.00 \$	180.00 \$	206.00 \$
500	51.50 \$	87.00 \$	100.00 \$	132.00 \$	196.00 \$	237.00 \$
550	62.00 \$	92.00 \$	104.00 \$	185.00 \$	230.00 \$	240.00 \$
600	71.00 \$	113.00 \$	140.00 \$	186.00 \$	245.00 \$	290.00 \$
700		137.00 \$	174.00 \$	224.00 \$	332.00 \$	407.00 \$

YOUR SPECIAL PULLEY SPZ ARE PRODECED IN THE FASTEST WAY.

V PULLEY PRICE LIST



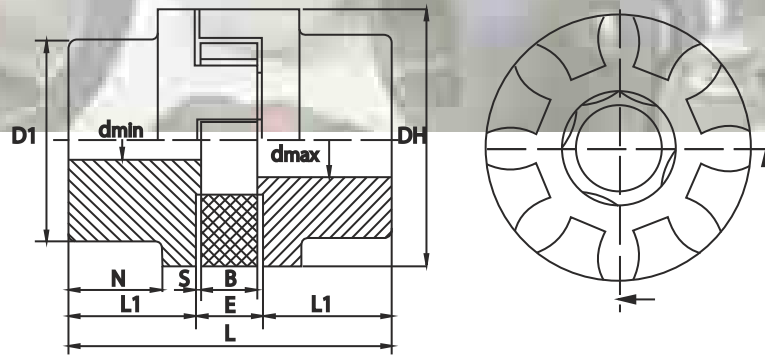
13 MM V PULLEY					
OUTHER DIAMETER	SIMPLEX	DUBLEX	TRIPLEX	4 GROVE PULLEY	5 GROVE PULLEY
100	11.00 \$	19.00 \$	22.00 \$	29.00 \$	34.00 \$
110	12.00 \$	20.00 \$	23.00 \$	30.00 \$	36.00 \$
125	16.00 \$	21.00 \$	32.00 \$	40.00 \$	44.00 \$
140	17.00 \$	23.00 \$	37.00 \$	45.00 \$	46.00 \$
150	18.00 \$	24.00 \$	44.00 \$	54.00 \$	52.00 \$
160	23.00 \$	26.00 \$	45.00 \$	55.00 \$	65.00 \$
175	24.00 \$	29.00 \$	46.00 \$	64.00 \$	74.00 \$
200	25.00 \$	37.00 \$	51.00 \$	75.00 \$	90.00 \$
225	26.00 \$	43.00 \$	58.00 \$	96.00 \$	103.00 \$
250	27.00 \$	44.00 \$	68.00 \$	97.00 \$	110.00 \$
275	29.00 \$	46.00 \$	78.00 \$	98.00 \$	125.00 \$
300	33.00 \$	53.00 \$	82.00 \$	102.00 \$	133.00 \$
350	35.00 \$	64.00 \$	94.00 \$	127.00 \$	160.00 \$
375			134.00 \$	130.00 \$	165.00 \$
400			140.00 \$	160.00 \$	182.00 \$
450			145.00 \$	164.00 \$	217.00 \$
500			146.00 \$	197.00 \$	237.00 \$
550			183.00 \$	228.00 \$	263.00 \$
600			190.00 \$	241.00 \$	288.00 \$
650			210.00 \$	267.00 \$	350.00 \$



COUPLINGS

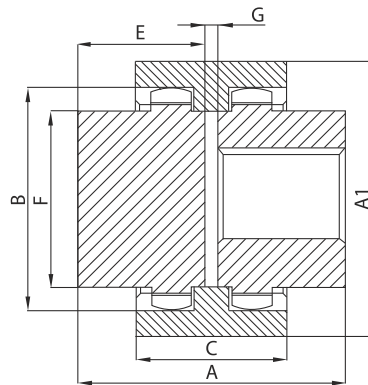


COUPLINGS



STAR COUPLING

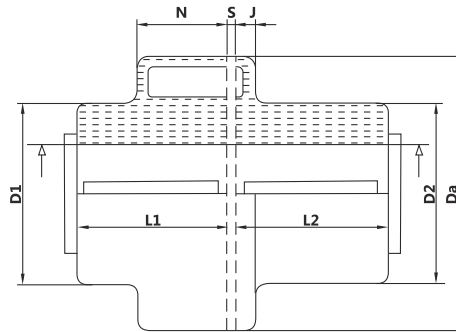
BORE DIAMETER	COMPLETE PRICE	SPARE PRICE	dmin	dmax	DH	D1	E1	B	C	S	F	L
65	126.00 \$	31.00 \$	12	28	65	49	30	21	17	2.5	20	79
80	195.00 \$	36.00 \$	14	38	80	60	43	35	19	3	22	110
95	233.00 \$	43.00 \$	14	42	95	73	49	39	22	3	25	123
110	340.00 \$	49.00 \$	15	48	110	80	50	40	25	3	30	130
125	475.00 \$	55.00 \$	15	55	125	85	58	47	30	3	35	151
140	632.00 \$	64.00 \$	15	65	140	98	58	49	33	3	38	156
160	925.00 \$	97.00 \$	17	75	160	115	68	55	43	3	48	184
180	1.120.00 \$	121.00 \$	20	84	180	123	80	63	45	4	47	205
200	1.315.00 \$	152.00 \$	20	90	200	135	82	60	45	4	49	210
225	1.700.00 \$	182.00 \$	20	100	225	150	97	75	45	4	50	244
250	2.140.00 \$	227.00 \$	20	110	250	160	98	80	45	5	48	253



GEAR COUPLING

BORE DIAMETER	COMPLETE PRICE	SPARE PRICE	Weight kg	A	A1	B	F	E	C	G
14	48.00 \$	12.00 \$	0.05	51	40	33	24	24	28	3
24	67.00 \$	19.00 \$	0.45	58	54	44	35	28	34	2
28	113.00 \$	25.00 \$	1.015	82	68	56	45	40	40	2
32	130.00 \$	36.00 \$	1.325	83	76	59	49	40	45	3
38	172.00 \$	45.00 \$	1.76	85	84	68	57	42	48	2
42	195.00 \$	53.00 \$	2.03	86	88	71	60	42	50	2
48	255.00 \$	73.00 \$	3.015	100	100	78	65	47	51	3
55	380.00 \$	94.00 \$	5.525	114	120	98	85	55	63	3
60	385.00 \$	125.00 \$	8.13	138	140	111	98	68	71	2

COUPLINGS



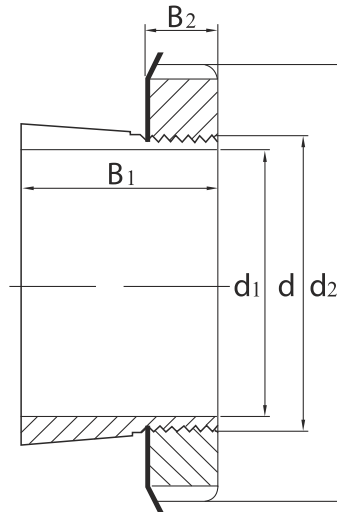
STAR COUPLINGS

BORE DIAMETER	COMPLETE PRICE	SPARE PRICE	DIMENSIONS									
			Da	D1	D2	L1	L2	J	N	S	Dmin	Dmax
68	127.00 \$	23.00 \$	68	45	45	37	38	8	22	2-4	14	24
80	137.00 \$	30.00 \$	80	49	50	43	44	8	23	2-4	14	30
95	240.00 \$	36.00 \$	95	59	60	50	50	9	26	2-4	18	42
110	292.00 \$	5.00 \$	110	70	70	54	55	10	28	2-4	18	48
125	455.00 \$	63.00 \$	125	80	83	58	58	11	30	2-4	20	55
140	650.00 \$	76.00 \$	140	95	95	62	58	12	34	2-4	22	60
160	920.00 \$	82.00 \$	160	108	108	68	64	13	39	2-6	22	65
180	1.135.00 \$	95.00 \$	180	125	114	74	76	16	42	2-6	22	75
200	1.435.00 \$	114.00 \$	200	134	125	84	82	17	47	2-6	22	85
225	1.650.00 \$	117.00 \$	225	143	130	92	92	18	52	2-6	22	90
250	2.275.00 \$	122.00 \$	250	165	145	102	102	21	60	3-8	22	100

ADAPTER SLEEVES



ADAPTER SLEEVES



H 200 SERIES

ADAPTER SLEEVES NO	PRICE	d1 mm	B1 mm	B2 mm	D mm	D2 mm
H 205	1.70 \$	19.05	26	8	25	38
H 206	1.80 \$	25.4	27	8	30	45
H 207	2.00 \$	31.75	29	9	35	52
H 208	2.30 \$	31.75	31	10	40	58
H 209	2.60 \$	38.1	33	11	45	65
H 210	3.00 \$	44.45	35	12	50	70
H 211	3.40 \$	50.8	37	12	55	75
H 212	3.65 \$	57.15	38	13	60	90
H 213	4.20 \$	57.15	40	14	65	85
H 214	6.50 \$		41	14	70	92
H 215	7.00 \$	63.5	43	15	75	98
H 216	8.50 \$	69.85	46	17	80	105
H 217	9.50 \$	76.2	50	18	85	110
H 218	11.50 \$	82.55	52	18	90	120
H 219	14.50 \$	82.55	55	19	95	125
H 220	15.00 \$	88.9	58	20	100	130

H 300 SERIES

ADAPTER SLEEVES NO	PRICE	d1 mm	B1 mm	B2 mm	D mm	D2 mm
H 305	2.05 \$	19.05	29	8	25	38
H 306	2.10 \$	25.4	31	8	30	45
H 307	2.35 \$	31.75	35	9	35	52
H 308	2.80 \$	31.75	36	10	40	58
H 309	2.85 \$	38.1	39	11	45	65
H 310	3.30 \$	44.45	42	12	50	70
H 311	3.70 \$	50.8	45	12	55	75
H 312	4.20 \$	57.15	47	13	60	90
H 313	4.90 \$	57.15	50	14	65	85
H 314	7.00 \$		52	14	70	92
H 315	8.15 \$	63.5	55	15	75	98
H 316	9.15 \$	69.85	59	17	80	105
H 317	10.10 \$	76.2	63	18	85	110
H 318	12.10 \$	82.55	65	18	90	120
H 319	14.00 \$	82.55	68	19	95	125
H 320	16.00 \$	88.9	71	20	100	130

H 2300 SERIES

ADAPTER SLEEVES NO	PRICE	d1 mm	B1 mm	B2 mm	D mm	D2 mm
H 2308	3.00 \$	31.75	46	9	40	58
H 2309	3.50 \$	38.1	50	10	45	65
H 2310	4.90 \$	44.45	55	11	50	70
H 2311	5.00 \$	50.8	59	12	55	75
H 2312	5.20 \$	57.15	62	12	60	80

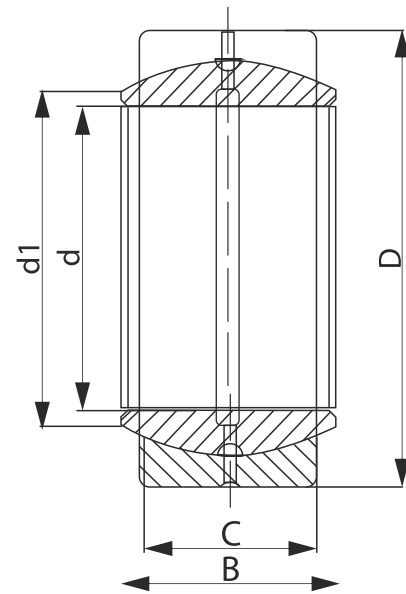
RADIAL SPHERICAL PLAIN BEARING



RADIAL SPHERICAL PLAIN BEARINGS

GE SERIES

BEARING NO	BRAND	PRICE	d mm	D mm	B mm
GE 06 ES	SFR	1.05 \$	6	14	6
GE 08 ES	SFR	1.10 \$	8	16	8
GE 10 ES	SFR	1.15 \$	10	19	9
GE 12 ES	SFR	1.20 \$	12	22	10
GE 15 ES	SFR	1.20 \$	15	26	12
GE 17 ES	SFR	1.30 \$	17	30	14
GE 20 ES	SFR	1.35 \$	20	35	16
GE 25 ES	SFR	2.00 \$	25	42	20
GE 30 ES	SFR	2.10 \$	30	47	22
GE 35 ES	SFR	3.10 \$	35	55	25
GE 40 ES	SFR	3.75 \$	40	62	28
GE 45 ES	SFR	5.30 \$	45	68	32
GE 50 ES	SFR	5.75 \$	50	75	35
GE 60 ES	SFR	9.75 \$	60	90	44
GE 70 ES	SFR	15.50 \$	70	105	49
GE 80 ES	SFR	21.50 \$	80	120	55
GE 90 ES	SFR	31.00 \$	90	130	60
GE 100 ES	SFR	45.00 \$	100	150	70
GE 110 ES	SFR	47.00 \$	110	160	70
GE 120 ES	SFR	95.09 \$	120	180	85
GE 140 ES	SFR	125.00 \$	140	210	70



GE-UK SERIES

BEARING NO	BRAND	PRICE	d mm	D mm	B mm	
GE 20 UK 2RS	SFR		20	35	6	12
GE 25 UK 2RS	SFR		25	42	8	16
GE 30 UK 2RS	SFR		30	47	9	18
GE 35 UK 2RS	SFR		35	55	10	20
GE 40 UK 2RS	SFR		40	62	12	22
GE 45 UK 2RS	SFR		45	68	14	25
GE 50 UK 2RS	SFR		50	75	16	28

ONE WAY NEEDLE BEARING

PRODUCT CODE	BRAND	PRICE	INNER	OUTHER	WIDTH
HF 0406	SFR	1.10 \$	4	8	16
HF 0612	SFR	1.10 \$	6	10	12
HF 0812	SFR	1.15 \$	8	12	12
HF 1012	SFR	1.20 \$	10	14	12
HF 1216	SFR	1.30 \$	12	18	16
HF 1416	SFR	1.30 \$	14	20	16
HF 1616	SFR	1.35 \$	16	22	16
HF 1816	SFR	1.35 \$	18	24	16
HF 2016	SFR	1.40 \$	20	26	16
HF 2520	SFR	1.40 \$	25	32	20
HF 3020	SFR	2.00 \$	30	37	20
HF 3520	SFR	2.20 \$	35	42	20

PRODUCT CODE	BRAND	PRICE	INNER	OUTHER	WIDTH
HFL 0822	SFR	2.30 \$	8	12	22
HFL 1022	SFR	2.35 \$	10	14	22
HFL 1226	SFR	2.50 \$	12	18	26
HFL 1426	SFR	2.55 \$	14	20	26
HFL 1626	SFR	2.60 \$	16	22	26
HFL 1826	SFR	2.60 \$	18	24	26
HFL 2026	SFR	3.00 \$	20	26	26
HFL 2530	SFR	3.00 \$	25	32	30
HFL 3030	SFR	3.10 \$	30	37	30

BEARING GROUPS

PRODUCT CODE	PRICE	SCREW BORE	OUTHER DIAMETER	OUTHER
KR 16 PP	2.10 \$	M6 x1,00	16	28
KR 19 PP	2.50 \$	M8 x1,25	19	32
KR 22 PP	3.25 \$	M10 x1,00	22	36
KR 26 PP	3.30 \$	M10 x1,00	26	36
KR 30 PP	4.00 \$	M12 x1,50	30	40
KR 32 PP	4.25 \$	M12 x1,50	32	40
KR 35 PP	5.75 \$	M16 x1,50	35	52
KR 40 PP	7.00 \$	M18 x1,50	40	58
KR 47 PP	10.50 \$	M20 x1,50	47	66
KR 52 PP	11.00 \$	M20 x1,50	52	66
KR 62 PP	15.00 \$	M24 x1,50	62	80
KR 72 PP	26.00 \$	M24 x1,50	72	80

PRODUCT CODE	PRICE	INNER DIAMETER	OUTHER DIAMETER	WIDHT
NATR 15 PP	4.50 \$	15	36	18/19
NATR 17 PP	5.00 \$	17	40	20/21
NATR 20 PP	6.00 \$	20	47	24/25
NATR 25 PP	6.50 \$	25	52	24/25
NATR 30 PP	9.00 \$	30	62	28/29
NATR 35 PP	10.50 \$	35	72	28/29
NATR 40 PP	15.00 \$	40	80	30/32
NATR 45 PP	15.50 \$	45	85	30/32
NATR 50 PP	18.00 \$	50	90	30/32

PRODUCT CODE	PRICE	INNER DIAMETER	OUTHER DIAMETER	WIDHT
NUTR 15	4.25 \$	15	35	18/19
NUTR 17	5.50 \$	17	40	20/21
NUTR 20	7.50 \$	20	47	24/25
NUTR 25	10.00 \$	25	52	24/25
NUTR 30	13.00 \$	30	62	28/29
NUTR 35	15.50 \$	35	72	28/29
NUTR 40	16.00 \$	40	80	30/32

KM, MB, GROUPS

PRODUCT CODE	BRAND	PRICE
KM 0	SFR	1.15 \$
KM 1	SFR	1.15 \$
KM 2	SFR	1.15 \$
KM 3	SFR	1.15 \$
KM 4	SFR	1.15 \$
KM 5	SFR	1.05 \$
KM 6	SFR	1.07 \$
KM 7	SFR	1.10 \$
KM 8	SFR	1.25 \$
KM 9	SFR	1.60 \$
KM 10	SFR	1.71 \$
KM 11	SFR	1.92 \$
KM 12	SFR	2.05 \$
KM 13	SFR	2.45 \$
KM 14	SFR	3.35 \$
KM 15	SFR	3.45 \$
KM 16	SFR	3.80 \$
KM 17	SFR	4.80 \$
KM 18	SFR	5.65 \$
KM 19	SFR	6.35 \$
KM 20	SFR	8.00 \$
KM 21	SFR	10.50 \$
KM 22	SFR	10.60 \$
KM 23	SFR	11.50 \$
KM 24	SFR	11.75 \$
KM 25	SFR	12.30 \$
KM 26	SFR	12.50 \$
KM 27	SFR	16.50 \$
KM 28	SFR	17.00 \$
KM 30	SFR	20.00 \$
KM 32	SFR	27.00 \$
KM 34	SFR	31.00 \$
KM 36	SFR	34.00 \$
KM 38	SFR	38.00 \$
KM 40	SFR	42.00 \$
KM 44	SFR	103.00 \$
KM 48	SFR	105.00 \$
KM 52	SFR	120.00 \$
KM 56	SFR	130.00 \$

PRODUCT CODE	BRAND	PRICE
KM 0	SFR	0.15 \$
KM 1	SFR	0.15 \$
KM 2	SFR	0.15 \$
KM 3	SFR	0.15 \$
KM 4	SFR	0.15 \$
KM 5	SFR	0.15 \$
KM 6	SFR	0.16 \$
KM 7	SFR	0.20 \$
KM 8	SFR	0.20 \$
KM 9	SFR	0.20 \$
KM 10	SFR	0.27 \$
KM 11	SFR	0.35 \$
KM 12	SFR	0.40 \$
KM 13	SFR	0.45 \$
KM 14	SFR	0.55 \$
KM 15	SFR	0.65 \$
KM 16	SFR	0.95 \$
KM 17	SFR	1.10 \$
KM 18	SFR	1.20 \$
KM 19	SFR	1.30 \$
KM 20	SFR	1.50 \$
KM 21	SFR	1.80 \$
KM 22	SFR	1.85 \$
KM 23	SFR	2.25 \$
KM 24	SFR	2.30 \$
KM 25	SFR	2.70 \$
KM 26	SFR	2.75 \$
KM 27	SFR	3.05 \$
KM 28	SFR	3.10 \$
KM 30	SFR	3.75 \$
KM 32	SFR	6.00 \$
KM 34	SFR	6.10 \$
KM 36	SFR	7.25 \$
KM 38	SFR	8.00 \$
KM 40	SFR	8.10 \$
KM 44	SFR	17.50 \$
KM 48	SFR	19.00 \$
KM 52	SFR	25.00 \$
KM 56	SFR	30.00 \$

SELF - LUBRICATING PAP LINEAR

PRODUCT CODE	BRAND	PRICE	DIMENSIONS
PAP 0505 P10	SFR	0.10 \$	5x7x5
PAP 0606 P10	SFR	0.10 \$	6x8x6
PAP 0608 P10	SFR	0.10 \$	6x8x8
PAP 0610 P10	SFR	0.10 \$	6x8x10
PAP 0806 P10	SFR	0.10 \$	8x10x6
PAP 0808 P10	SFR	0.10 \$	8x10x8
PAP 0810 P10	SFR	0.10 \$	8x10x10
PAP 0812 P10	SFR	0.10 \$	8x10x12
PAP 0815 P10	SFR	0.11 \$	8x10x15
PAP 0822 P10	SFR	0.13 \$	8x10x22
PAP 1008 P10	SFR	0.11 \$	10x12x8
PAP 1010 P10	SFR	0.11 \$	10x12x10
PAP 1012 P10	SFR	0.11 \$	10x12x12
PAP 1015 P10	SFR	0.13 \$	10x12x15
PAP 1020 P10	SFR	0.13 \$	10x12x20
PAP 1208 P10	SFR	0.10 \$	12x14x8
PAP 1210 P10	SFR	0.11 \$	12x14x10
PAP 1212 P10	SFR	0.11 \$	12x14x12
PAP 1214 P10	SFR	0.11 \$	12x14x14
PAP 1215 P10	SFR	0.14 \$	12x14x15
PAP 1220 P10	SFR	0.17 \$	12x14x20
PAP 1225 P10	SFR	0.17 \$	12x14x25
PAP 1310 P10	SFR	0.12 \$	13x15x10
PAP 1315 P10	SFR	0.13 \$	13x15x15
PAP 1410 P10	SFR	0.13 \$	14x16x10
PAP 1412 P10	SFR	0.13 \$	14x16x12
PAP 1415 P10	SFR	0.13 \$	14x16x15
PAP 1420 P10	SFR	0.16 \$	14x16x20
PAP 1425 P10	SFR	0.17 \$	14x16x25
PAP 1510 P10	SFR	0.13 \$	15x17x10
PAP 1512 P10	SFR	0.13 \$	14x17x12
PAP 1515 P10	SFR	0.13 \$	15x17x15
PAP 1520 P10	SFR	0.14 \$	15x17x20
PAP 1525 P10	SFR	0.20 \$	15x17x25

PRODUCT CODE	BRAND	PRICE	DIMENSIONS
PAP 1610 P10	SFR	0.38 \$	16x18x10
PAP 1612 P10	SFR	0.38 \$	16x18x12
PAP 1615 P10	SFR	0.42 \$	16x18x15
PAP 1618 P10	SFR	0.53 \$	16x18x18
PAP 1620 P10	SFR	0.58 \$	16x18x20
PAP 1625 P10	SFR	0.63 \$	16x18x25
PAP 1630 P10	SFR	0.83 \$	16x18x30
PAP 1640 P10	SFR	1.13 \$	16x18x40
PAP 1710 P10	SFR	0.38 \$	17x19x10
PAP 1712 P10	SFR	0.45 \$	17x19x12
PAP 1715 P10	SFR	0.53 \$	17x19x15
PAP 1720 P10	SFR	0.58 \$	17x19x20
PAP 1804 P10	SFR	0.47 \$	18x20x04
PAP 1810 P10	SFR	0.47 \$	18x20x10
PAP 1812 P10	SFR	0.47 \$	18x20x12
PAP 1815 P10	SFR	0.53 \$	18x20x15
PAP 1820 P10	SFR	0.62 \$	18x20x20
PAP 1825 P10	SFR	0.72 \$	18x20x25
PAP 1830 P10	SFR	0.78 \$	18x20x30
PAP 2010 P10	SFR	0.50 \$	20x23x10
PAP 2012 P10	SFR	0.55 \$	20x23x12
PAP 2015 P10	SFR	0.63 \$	20x23x15
PAP 2020 P10	SFR	0.72 \$	20x23x20
PAP 2025 P10	SFR	0.83 \$	20x23x25
PAP 2030 P10	SFR	0.97 \$	20x23x30
PAP 2035 P10	SFR	1.32 \$	20x23x35
PAP 2040 P10	SFR	1.37 \$	20x23x40
PAP 2045 P10	SFR	1.42 \$	20x23x45
PAP 2050 P10	SFR	1.53 \$	20x23x50
PAP 2210 P10	SFR	0.50 \$	22x25x10
PAP 2212 P10	SFR	0.53 \$	22x25x12
PAP 2215 P10	SFR	0.63 \$	22x25x15
PAP 2220 P10	SFR	0.70 \$	22x25x19
PAP 2225 P10	SFR	0.72 \$	22x25x25
PAP 2230 P10	SFR	0.72 \$	22x25x30

PRODUCT CODE	BRAND	PRICE	DIMENSIONS
PAP 2415 P10	SFR	0.21 \$	24x27x15
PAP 2420 P10	SFR	0.21 \$	24x27x20
PAP 2510 P10	SFR	0.21 \$	25x28x10
PAP 2512 P10	SFR	0.21 \$	25x28x12
PAP 2515 P10	SFR	0.21 \$	25x28x15
PAP 2520 P10	SFR	0.31 \$	25x28x20
PAP 2525 P10	SFR	0.40 \$	25x28x25
PAP 2530 P10	SFR	0.45 \$	25x28x30
PAP 2540 P10	SFR	0.61 \$	25x28x40
PAP 2550 P10	SFR	0.70 \$	25x28x50
PAP 2815 P10	SFR	0.46 \$	28x32x15
PAP 2820 P10	SFR	0.46 \$	28x32x20
PAP 2825 P10	SFR	0.60 \$	28x32x30
PAP 2830 P10	SFR	0.60 \$	28x32x30
PAP 3010 P10	SFR	0.50 \$	30x34x10
PAP 3012 P10	SFR	0.50 \$	30x34x12
PAP 3015 P10	SFR	0.50 \$	30x34x15
PAP 3020 P10	SFR	0.50 \$	30x34x20
PAP 3025 P10	SFR	0.50 \$	30x34x25
PAP 3030 P10	SFR	0.65 \$	30x34x30
PAP 3040 P10	SFR	0.70 \$	30x34x40
PAP 3050 P10	SFR	1.00 \$	30x34x50
PAP 3225 P10	SFR	0.60 \$	32x36x25
PAP 3230 P10	SFR	0.60 \$	32x36x30
PAP 3515 P10	SFR	0.50 \$	35x39x15
PAP 3520 P10	SFR	0.50 \$	35x39x20
PAP 3525 P10	SFR	0.60 \$	35x39x25
PAP 3526 P10	SFR	0.85 \$	35x39x26
PAP 3530 P10	SFR	0.85 \$	35x39x30
PAP 3535 P10	SFR	0.85 \$	35x39x35
PAP 3545 P10	SFR	1.00 \$	35x39x40
PAP 3545 P10	SFR	1.10 \$	35x39x45
PAP 3550 P10	SFR	1.10 \$	35x39x50
PAP 3720 P10	SFR	1.50 \$	35x39x20

V-BELT



V-BELT

PRODUCT CODE	PRICE
8	2.15 \$
9,5	2.05 \$
10	2.20 \$
12,5	2.40 \$
13	2.00 \$
17	3.10 \$
20	5.00 \$
22	4.05 \$
25	6.60 \$
32	10.00 \$
SPZ	3.50 \$
SPA	3.70 \$
SPB	4.25 \$
SPC	7.10 \$
9,5 AX	2.25 \$
12,5 AX	3.50 \$
13 AX	3.50 \$
17 AC	5.05 \$
22 AX	15.00 \$
XPZ	7.00 \$
XPA	9.50 \$
XPB	6.50 \$
XPC	20.00 \$



www.senarulman.com





Tuna Mahallesi Sanat Caddesi
Selçuklu İş Merkezi No: 17/V
Çamdibi / Bornova / İZMİR
Tel: +90 232 449 88 77
Faks : +90 232 449 90 40
e-posta : satis@senarulman.com